



EATON Aeroquip

A/C & Refrigeration Hose & Fittings



Table of Contents

How to Use This Catalog	4
E-Z Clip System™	
Tool Kit	5
GH134 Multi-Refridgerant Hose	6
O-Rings	7
End Connections	8
Fittings (see chart below and on next page for specific part numbers)	9
Cages and Clips	34
Aluminum Lifesaver	35
E-Z Clip, Size 4	36
Assembly Tools	38
Components: Ordering and Identifying	39
Assembly Instructions	40
Fitting Kits	42
Reusable Fitting Program	
Hose Selection Guide and Design Guidelines	44
FC802/FC558 with 100R5	45
Fittings	46
Factory Crimp Program	
GH134	51
Fittings	52
Adapters	65
Accessories	66

E-Z Clip System™ Fittings and other Components

PART #	DESCRIPTION	PAGE	PART #	DESCRIPTION	PAGE
1F20340	90° to STC	32	EJ3421	45° Female Rotalok.....	24
1F40104	Clip Hose/Cage Connections.....	34	EJ3422	45° Female Rotalok.....	24
1F40105	Cages.....	34	EJ3533	90° Female JIC 37° Flare	20
22546	Neoprene O-ring	7	EJ3534	45° Female JIC 37° Flare	18
EJ3111	Female O-ring, Metric Thread	9	EJ3543	45° Female O-ring w/R134a Port	13
EJ3158	Tee-Style Fitting w/Male O-ring Connection	23	FF12262	Lifesaver Braze on Hose Nipple	34
EJ3297	90° Female O-ring and Switch Port.....	15	FF13727	Lifesaver - Aluminum	35
EJ3298	90° Female O-ring, R134a and Switch Port	14	FF90178	HNBR O-ring.....	7
EJ3299	Straight Female O-ring with Switch Port	11	FJ3012	90° Female O-ring w/R134a Port	13
EJ3302	90° Female O-ring w/R134a Port	13	FJ3013	90° Female O-ring w/R134a Port	13
EJ3321	Short Drop, 90° Female Rotalok	24	FJ3019	90° Male O-ring.....	16
EJ3410	45° Female O-ring w/R134a Port	13	FJ3026	Male MIO, Straight.....	17

Table of Contents

E-Z Clip System™ Fittings and other Components

(continued from previous page)

PART #	DESCRIPTION	PAGE	PART #	DESCRIPTION	PAGE
FJ3045	Straight Splicer/Mender	26	FJ3496	90° Pilot Connection	27
FJ3047	90° Female O-ring w/Switch Port	14	FJ3510	90° Female Rotalok w/R134a Port	25
FJ3052	Male O-ring, Straight	15	FJ3511	90° Female Rotalok w/R134a Port	25
FJ3053	Straight Female O-ring, w/R134a Port	10	FJ3513	Straight Bulkhead.....	26
FJ3054	Straight Female O-ring, w/R134a Port	10	FJ3514	90° Male Bulkhead	26
FJ3055	45° Elbow, Female O-ring, Short Pilot	9	FJ3568	90° GM Block.....	26
FJ3056	Straight Male MIO	18	FJ3611	90° Male MIO w/R134a Port.....	17
FJ3057	SAE 45° Female Flare	18	FJ3623	180° Female O-ring Pilot	29
FJ3058	90° Splicer/Mender	27	FJ3624	180° Splicer/Mendor	29
FJ3059	SAE 45° Female 45° Elbow	19	FJ3731	Straight Female 37° Flare	18
FJ3066	"T" Splicer - 3-Hose Connector	28	FJ3734	Female O-ring, Compound Tube	30
FJ3067	GMTie In Metric Tee.....	23	FJ3801	Female O-ring, Compound Tube	30
FJ3111	90° Female O-ring, Metric Thread	21	FJ3804	180° Male O-ring	29
FJ3112	90° Female O-ring, w/R134a, Metric Thread.....	22	FJ3890	Str. Female O-ring, R134a Port, Metric Thd.	22
FJ3113	90° Male O-ring, Metric Thread	23	FJ3891	Str. Female O-ring, R134a Port, Metric Thd.....	22
FJ3116	45° Male O-ring, Short Pilot.....	16	FJ3892	90° Female O-ring, R134a Port, Metric Thd.	22
FJ3131	Straight Male O-ring, w/R134a Port	16	FJ3914	90° 5400 Coupling Thread	29
FJ3132	Straight Male O-ring, w/R134a Port.....	17	FJ3970	Straight 5400 Coupling Thread	30
FJ3133	90° Female SAE 45° Flare w/R134a Port	19	FJ3977	Pad-Style Connection	30
FJ3134	90° Male O-ring, w/R134a Port	17	FJ3978	Straight Pad-Style Connection w/R134a	31
FJ3135	90° Male O-ring, w/R134a Port	17	FJ3979	60° Elbow Pad-Style Connection w/R134a	32
FJ3136	Straight Male O-ring, Metric Thread.....	21	FJ3980	180° Pad-Style Connection	31
FJ3149	90° Female SAE 45° Universal Flare	19	FJ3981	90° Elbow Pad-Style Connection w/R134a	32
FJ3161	45° ORS Female Swivel	20	FJ3982	90° Pad-Style Connection	31
FJ3162	Straight Female O-ring, w/Switch Port.....	11	FJ3983	90° Pad-Style Connection	31
FJ3163	90° Female O-ring, w/Switch Port	14	FJ5984	Straight Female O-ring	9
FJ3171	Splicer with Switch Port	27	FJ5985	90° Female O-ring, 90°	10
FJ3192	45° Female O-ring, Metric Thread	21	FJ5986	Splicer w/R134a Port	28
FJ3225	90° Female Rotalok.....	24	FJ5994	90° ORS Female Swivel	20
FJ3226	90° Female Rotalok w/Switch Port	25	FJ5995	Splicer w/R134a Port	27
FJ3230	45° Female O-ring w/Switch Port	12	GA23854	45° Female O-ring.....	33
FJ3274	Straight Female Rotalok	23	GA23911	Straight ORS Female Swivel.....	20
FJ3288	90° Female O-ring, Long Pilot	10	GA23912	45° ORS Female Swivel	20
FJ3289	90° Female O-ring w/Switch Port	14	GA23913	90° ORS Female Swivel	20
FJ3301	Female O-ring, R134a Port, Metric Thread	22	GA24335	Straight Bock Compressor Fitting.....	33
FJ3319	90° ORS, Female Swivel	21	GA24336	45° Bock Compressor Fitting	33
FJ3363	Straight Female O-ring, w/R134a Port & Switch ..	12	GA24337	90° Bock Compressor Fitting	33
FJ3365	45° Female O-ring w/R134a & Switch Port	12	GH134	Multi-Refrigerant Hose	35
FJ3366	90° Female w/R134a Port & Switch Port	19			
FJ3408	Female O-ring, Metric Thread (Long Pilot).....	9			
FJ3409	90° Female O-ring, Metric Thread	21			
FJ3416	Straight Female O-ring w/Switch Port	11			
FJ3427	Splicer w/Switch Port.....	28			
FJ3428	Splicer w/Switch Port.....	28			
FJ3444	90° Female O-ring w/Switch Port	15			
FJ3460	90° Female O-ring w/Switch Port	15			
FJ3461	Straight Female O-ring w/Switch Port	11			
FJ3495	GMTie-In.....	23			

How to Use This Catalog

Accurate processing and prompt delivery of your order depend on easy identification of your requirements. Please order Aeroquip® parts using correct part numbers as described in this catalog. Inquiries and orders should be directed to your Aeroquip Distributor or:

Eaton
14615 Lone Oak Road
Eden Prairie, MN 55344
USA
Tel: 952 937-9800
Fax: 952 974-7722

www.hydraulics.eaton.com

Part Numbers and Dash Sizes

The first two numbers of the dash size of each part number, (example: -0608) indicates the size of the terminal, or connecting end. The second two numbers of the dash sizes (example: -0608) indicates the hose size. In the example -0608, 08 is the hose size.

Dimensions

Dimensions given in this catalog for Aeroquip products are approximate and should be used for reference only. Exact dimensional information for a given product is subject to change and varying tolerances; contact Eaton directly for full current information.

Cut Length Hose

Cut lengths of hose should be ordered as shown below by specifying lengths in inches.

For alpha-numeric part numbers: GH134-8-00484
 Hose type _____
 Hose dash size (in 16ths of an inch) _____
 Cut length (in inches) _____

Last digit is in 8ths of an inch. Example: 00484 = 48½ inches

Bulk Hose

Bulk hose should be ordered by specifying length in feet as shown below.

Complete number: 500 ft.-GH134-8
 Quantity (in feet) _____
 Hose type _____
 Hose size (refer to hose spec sheet) _____

Reeled Hose

GH134 hose is available on reels. Maximum number of lengths per reel is five (5). The approximate lengths per reel are shown below:

PART NUMBER	AVG # FT/REEL	MAX # PIECES/REEL	?? LENGTH REEL
GH134-6RL	560	3	40
GH134-8RL	575	3	40
GH134-10RL	560	3	40
GH134-12RL	367	3	45
GH134-16RL	250	3	50

General Information

Flexible hose lines offer many advantages over rigid tubing including routing ease, vibration absorption, sound deadening and the ability to accommodate movement of connected components. However, hose lines require caution in use – not only to provide long service – but also to guard against potentially dangerous failure.

Important

Special care should be taken when selecting the proper refrigerant hose and fittings. The information contained in this bulletin is provided as a general guide to assist in making the appropriate product selection. This guide does not address every parameter that must be considered when selecting a product. The user must make the final product selection in consideration of the user's unique requirements.

Additionally, special care must be taken when working with refrigerant systems. Sudden escape of refrigerant gases may result in blindness or severe injury. Eaton recommends adherence to the guidelines and general practices as defined in SAE

J2211 for the service and containment of HFC-134a, as well as all applicable EPA guidelines and procedures concerning the service of refrigerant systems.

Warning

Aeroquip fitting tolerances are engineered to match Aeroquip hose tolerances. The use of Aeroquip fittings on hose supplied by other manufacturers and/or the use of Aeroquip hose with fittings supplied by other manufacturers may result in the production of unreliable and unsafe hose assemblies and is not authorized by Eaton.

EATON SHALL NOT BE SUBJECT TO AND DISCLAIM ANY OBLIGATIONS OR LIABILITIES (INCLUDING

BUT NOT LIMITED TO ALL CONSEQUENTIAL, INCIDENTAL AND CONTINGENT DAMAGES) ARISING OUT OF BREACH OF CONTRACT OR OF WARRANTY OR ARISING FROM TORT CLAIMS (INCLUDING WITHOUT LIMITATION NEGLIGENCE AND STRICT LIABILITY) OR OTHER THEORIES OF LAW WITH RESPECT TO ANY HOSE ASSEMBLIES NOT PRODUCED FROM GENUINE AEROQUIP HOSE FITTINGS, HOSE AND AEROQUIP APPROVED EQUIPMENT, AND IN CONFORMANCE WITH AEROQUIP PROCESS AND PRODUCT INSTRUCTIONS FOR EACH SPECIFIC HOSE ASSEMBLY.

E-Z Clip System™ Tool Case

Part # FF12139

NOTE:

The E-Z Clip System has been designed to work exclusively with Aeroquip GH134 Hose.

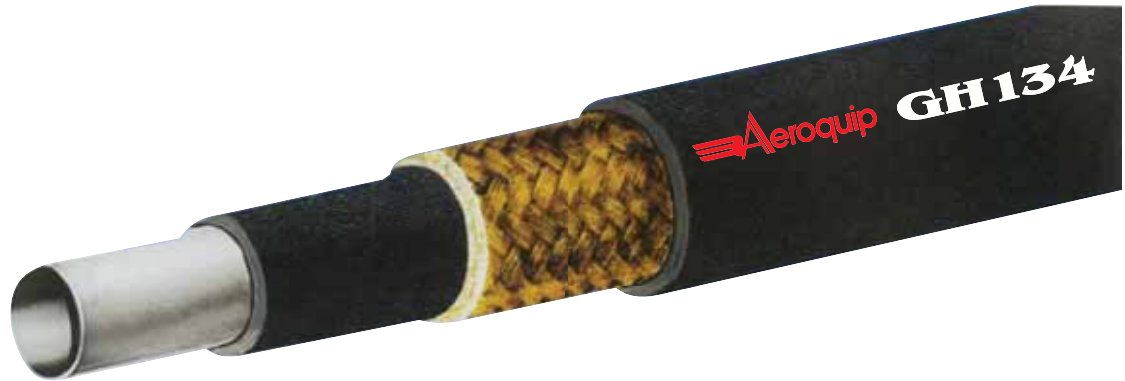


KIT CONTENTS COMPONENTS PART NUMBER	DESCRIPTION	QTY/PER KIT
1F40104-size	Clips	6-12
1F40105-size	Cages	6-12
FT1357	Assy. Tool	1
FT1356	Hose Cutter	1
FT1356-2-1	Replacement Blade	1

E-Z Clip System™

GH134 Multi-Refrigerant Hose

SAE J2064
Type E Class 1



#						
PART NUMBER	HOSE I.D.	HOSE O.D.	MAXIMUM OPERATING PRESSURE	E-Z CLIP MINIMUM BURST PRESSURE	MINIMUM BEND RADIUS	WEIGHT PER FOOT
	mm/inches	mm/inches	bar/psi	bar/psi	mm/inches	pounds
GH134-6	7.9/.31	14.7/.58	35/500	140/2,000	50/2.00	.09
GH134-8	10.3/.41	17.8/.70	35/500	140/2,000	63/2.50	.12
GH134-10	12.7/.50	19.8/.78	35/500	140/2,000	76.2/3.00	.15
GH134-12	15.9/.63	24.9/.98	35/500	140/2,000	101.6/4.00	.18
GH134-16	22.4/.88	31.2/1.23	35/500	140/2,000	127/7.00	.22

Application: Transportation, refrigeration and air conditioning systems.

Operating Temperature Range: -40°F to +275°F (-40°C to +135°C)

R404a Effusion: .2 lbs./ft²/yr. at 140°F (.8 kg./m²/yr. at 60°C)

HFC 134a Effusion: .50 lbs./ft²/yr. at 176°F (2.42 kg./m²/yr. at 80°C)

Moisture Ingression: .08 gm./in²/yr. (.013/cm²/yr)

Features

- Internal polyamide veneer tube
- Synthetic-rubber backing layer
- Stabilized, synthetic braided reinforcement
- Chlorobutyl rubber cover
- E-Z Clip fittings

Benefits

- Excellent effusion resistance
- Maximum resistance to moisture ingress
- Extended service performance
- Superior flexibility
- Assured coupling integrity, exceeds SAE J2064 performance

Warning

E-Z Clip has been designed and engineered to work EXCLUSIVELY with Aeroquip GH134 hose. Size -04 has been designed to work with FC505 hose.

For information regarding other refrigerants and lubricants, please contact Eaton customer service at 952-937-9800.

E-Z Clip System™

O-Rings

Refrigerant Compatibility Chart of Refrigerant Hoses

REFRIGERANT	HOSE STYLE			
	FC802	FC505	GH134	FC558
R-12	Y	Y	Y	N
R-22	Y	Y	Y	N
R-134a	Y	Y	Y	Y
R-502	Y	Y	Y	N
MP39	Y	Y	Y	N
MP66	Y	Y	Y	N
R404a	Y	Y	Y	N

Lubricant Compatibility Chart

LUBRICANT	HOSE STYLE			
	FC802	FC505	GH134	FC558
Mineral Oil	Y	Y	Y	N
PAG	Y	Y	Y	Y
Ester Oil	Y	Y	Y	Y
Alkylbenzene	Y	Y	*	N

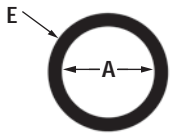
Y = Compatible N = Non-compatible

* Contact product support for application review

Tubing Identification

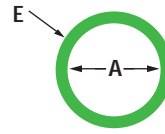
SIZE	TUBING STYLE	WALL THICKNESS
-6	SAE J526	0.035
-0608	SAE J526	0.035
-8	SAE J526	0.035
-0810	SAE J526	0.035
-10	SAE J525	0.049
-1012	SAE J525	0.049
-12	SAE J525	0.049
-16	SAE J525	0.0625

O-Rings for Bump Tube O-Ring Seal and O-Ring Pilot Fittings



22546
 Material: Chloroprene (Neoprene)
 Durometer: 70
 Temperature Range: -65°F to +300°F
 Color: Black

O-RING PART NUMBER	O-RING PILOT DASH SIZE	A	E
22546-11	-06	.301	.07
22546-13	-08	.426	.07
22546-15	-10	.551	.07
22546-17	-12	.676	.07



FF90178
 Material: HNBR
 Durometer: 70
 Temperature Range: -25°F to +300°F
 Color - Green

O-RING PART NUMBER	O-RING PILOT DASH SIZE	A	E
FF90178-11	-06	.301	.0625
FF90178-13	-08	.426	.0625
FF90178-15	-10	.551	.0625
FF90178-17	-12	.676	.0625

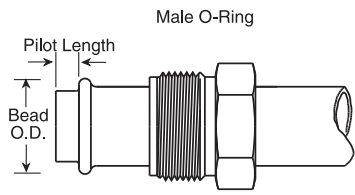
E-Z Clip System™

End Connections

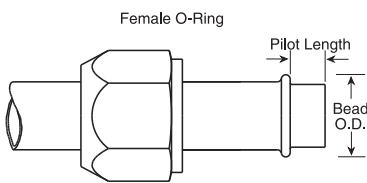
How to Identify O-ring Pilot Thread Sizes

This connection is common to air conditioning systems, both in vehicle and commercial applications. Both the male and female halves of the connections have a pilot,

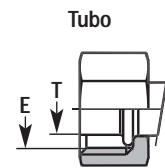
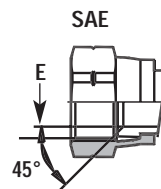
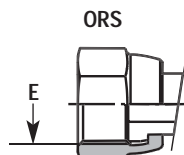
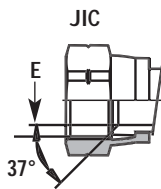
either long or short. The seal takes place by compressing an O-ring adjacent to the bead of the tube. The threads hold the connection together mechanically.



INCH SIZE	DASH SIZE	MALE THREAD O.D. (INCH)			FEMALE THREAD I.D. (INCH)		
		NOMINAL THREAD	FRACTION	DECIMAL	NOMINAL THREAD	FRACTION	DECIMAL
3/8	06	5/8 - 18	5/8	.62	5/8 - 18	9/16	.57
1/2	08	3/4 - 18	3/4	.75	3/4 - 16	11/16	.69
5/8	10	7/8 - 18	7/8	.87	7/8 - 14	13/16	.81
3/4	12	1-1/16 - 16	1-1/16	1.06	11/16 - 14	1	.99



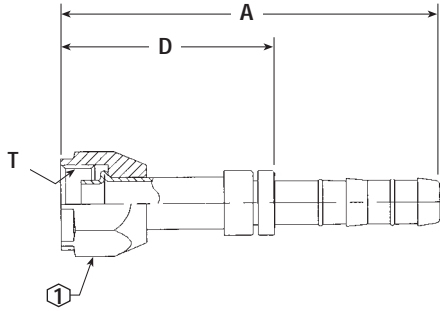
INCH SIZE	NOMINAL TUBE SIZE	LONG PILOT		SHORT PILOT	
		BEAD O.D. (INCH)	PILOT LENGTH	BEAD O.D. (INCH)	PILOT LENGTH
3/8	06	.52	.28	.52	.19
1/2	08	.64	.39	.64	.19
5/8	10	.77	.39	.77	.19
3/4	12	.91	.39	.91	.19



SIZE	JIC THREAD	ORS THREAD	ØE	SAE THREAD	ØE	TUBO THREAD	ØE	ØT
-4	7/16-20	9/16-18	12,9	7/16-20	—	—	—	—
-6	9/16-18	11/16-16	15,9	5/8-18	14,5	5/8-18	14,5	8,4
-8	3/4-18	13/16-16	19,1	3/4-16	17,5	3/4-16	17,5	11,6
-10	7/8-14	1-14	23,6	7/8-14	20,5	7/8-14	20,5	14,4
-12	1-1/16-12	1-3/16-12	28,1	1-1/16-14	25,2	1-1/16-14	25,2	17,5
-16	1-5/16-12	1-7/16-12	34,5	—	—	—	—	—
-20	—	1-11/16-12	40,7	—	—	—	—	—
-24	—	—	—	—	—	—	—	—

E-Z Clip System™ Fittings

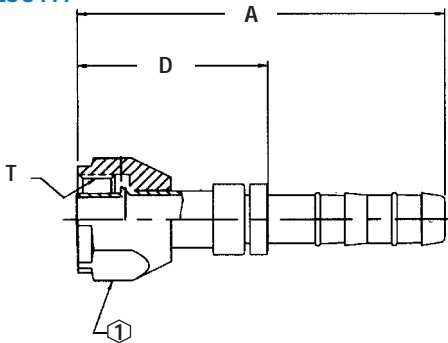
FJ5984



Straight - Female O-ring (short pilot)

PART NUMBER	TH'D "T"	HOSE SIZE	A REF	D REF	F REF	H REF	⊕ REF
FJ5984-0606S	5/8-18	6	3.14	1.62	—	—	0.75
FJ5984-0608S	5/8-18	8	3.16	1.62	—	—	0.75
FJ5984-0808S	3/4-16	8	3.56	2.02	—	—	0.88
FJ5984-0810S	3/4-16	10	3.57	2.02	—	—	0.88
FJ5984-1008S	7/8-14	8	3.62	2.08	—	—	0.88
FJ5984-1010S	7/8-14	10	3.63	2.08	—	—	1.06
FJ5984-1012S	7/8-14	12	3.66	2.08	—	—	1.06
FJ5984-1210S	1-1/16-14	10	4.25	2.62	—	—	1.25
FJ5984-1212S	1-1/16-14	12	4.25	2.67	—	—	1.25
FJ5984-1016S	7/8-14	16	3.76	2.08	—	—	1.06
FJ5984-1216S	1-1/16-14	16	4.35	2.67	—	—	1.25

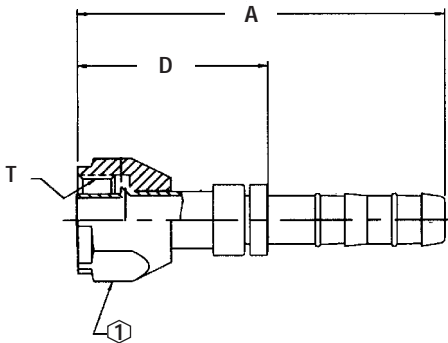
FJ3632/EJ3111



Straight - Female O-ring (long pilot)

PART NUMBER	TH'D "T"	HOSE SIZE	A REF	D REF	F REF	H REF	⊕ REF
FJ3632-0806S	3/4-16	6	2.91	1.36	—	—	0.875
EJ3111-1216S	1-1/16-14	16	4.35	2.67	—	—	1.25

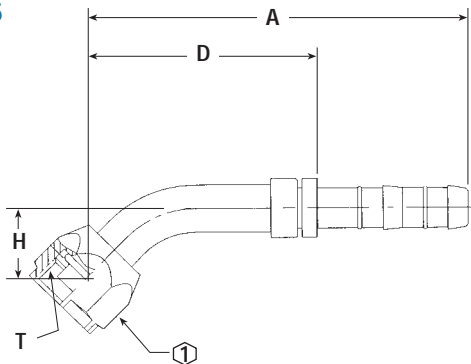
FJ3408



Straight - Female O-ring, Metric Thread (long pilot)

PART NUMBER	TH'D "T"	HOSE SIZE	A REF	D REF	F REF	H REF	⊕ REF
FJ3408-0808S	M20 x 1.5	8	3.20	1.66	—	—	0.94
FJ3408-0810S	M20 x 1.5	10	3.21	1.66	—	—	0.94
FJ3408-1212S	M27 x 2	12	4.25	2.67	—	—	1.25

FJ3055



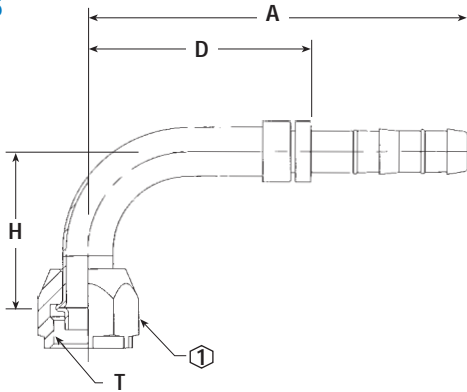
45° Elbow Female O-ring (short pilot)

PART NUMBER	TH'D "T"	HOSE SIZE	A REF	D REF	F REF	H REF	⊕ REF
FJ3055-01-0606S	5/8-18	6	3.60	2.08	—	0.67	0.75
FJ3055-02-0608S	5/8-18	8	3.62	2.08	—	0.67	0.75
FJ3055-03-0808S	3/4-16	8	3.94	2.40	—	0.73	0.88
FJ3055-04-0810S	3/4-16	10	3.95	2.40	—	0.73	0.88
FJ3055-05-1010S	7/8-14	10	4.37	2.81	—	1.19	1.06
FJ3055-06-1012S	7/8-14	12	4.46	2.88	—	1.25	1.06
FJ3055-07-1212S	1-1/16-14	12	5.33	3.75	—	1.47	1.25
FJ3055-09-1216S*	1-1/16-14	16	5.43	3.15	—	1.47	1.25
FJ3055-08-1016S	7/8-14	16	4.56	2.66	—	1.25	1.06

*MTO (made to order)

E-Z Clip System™ Fittings

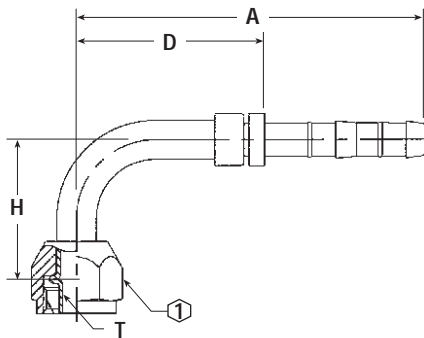
FJ5985



90° Elbow – Female O-ring (short pilot)

PART NUMBER	TH'D "T"	HOSE SIZE	A REF	D REF	F REF	H REF	⊕ REF
FJ5985-0606S	5/8-18	6	3.32	1.79	—	1.38	0.75
FJ5985-0608S	5/8-18	8	3.33	1.79	—	1.38	0.75
FJ5985-0806S	3/4-16	6	3.86	2.33	—	1.62	0.88
FJ5985-0808S	3/4-16	8	3.77	2.23	—	1.62	0.88
FJ5985-0810S	3/4-16	10	3.78	2.23	—	1.62	0.88
FJ5985-1010S	7/8-14	10	4.22	2.67	—	1.89	1.06
FJ5985-1012S	7/8-14	12	4.24	2.67	—	1.89	1.06
FJ5985-1210S	1-1/16-14	10	4.76	3.31	—	2.56	1.25
FJ5985-1212S	1-1/16-14	12	4.74	3.16	—	2.56	1.25
FJ5985-1216S	1-1/16-14	16	4.84	3.16	—	2.56	1.25

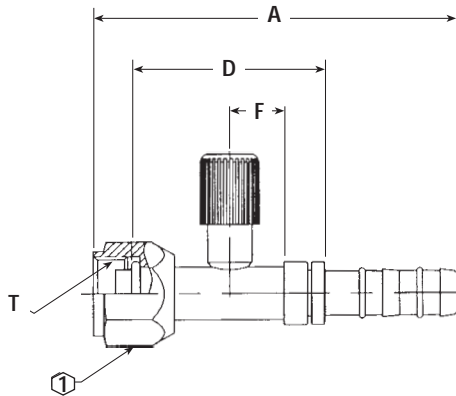
FJ3288



90° Female O-ring (long pilot)

PART NUMBER	TH'D "T"	HOSE SIZE	A REF	D REF	F REF	H REF	⊕ REF
FJ3288-01-0606S	5/8-18	6	3.32	1.79	—	1.38	0.75
FJ3288-02-0808S	3/4-16	8	3.77	2.23	—	1.62	0.88
FJ3288-03-0806S	3/4-16	6	3.75	2.33	—	1.62	0.88
FJ3288-04-0810S	7/8-16	10	3.78	2.23	—	1.62	0.88
FJ3288-06-1216S	1-1/16-14	16	4.84	3.16	—	2.56	1.25
FJ3288-05-1016S	7/8-14	16	4.40	2.72	—	1.89	1.06

FJ3054

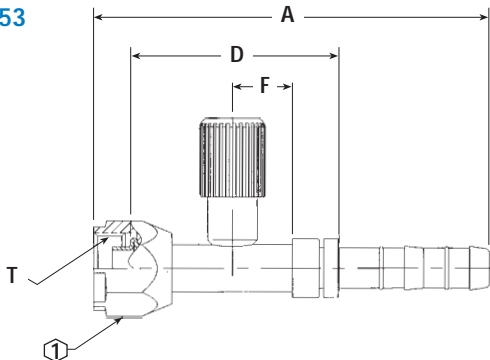


Straight – Female O-ring (short pilot) with R134a Low Side Port

PART NUMBER	TH'D "T"	HOSE SIZE	A REF	D REF	F REF	H REF	⊕ REF
FJ3054-1010S	7/8-14	10	4.24	2.25	0.63	—	1.06
FJ3054-1012S	7/8-14	12	4.27	2.25	0.63	—	1.06
FJ3054-1212S	1-1/16-14	12	4.58	2.43	0.54	—	1.25
FJ3054-1216S*	1-1/16-14	16	4.68	2.43	0.54	—	1.25

*MTO (made to order)

FJ3053

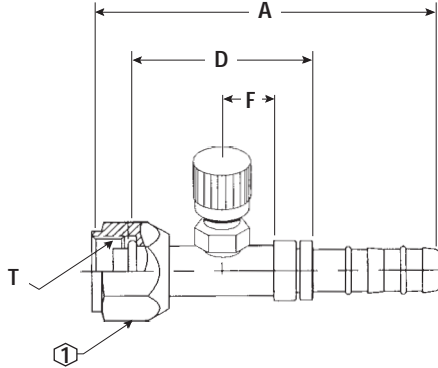


Straight – Female O-ring (short pilot) with R134a High Side Port

PART NUMBER	TH'D "T"	HOSE SIZE	A REF	D REF	F REF	H REF	⊕ REF
FJ3053-0606S	5/8-18	6	3.91	2.10	0.63	—	0.75
FJ3053-0806S	3/4-16	6	4.06	2.26	0.63	—	0.88
FJ3053-0808S	3/4-16	8	4.09	2.16	0.63	—	0.88
FJ3053-0810S	3/4-16	10	4.09	2.16	0.63	—	0.88

E-Z Clip System™ Fittings

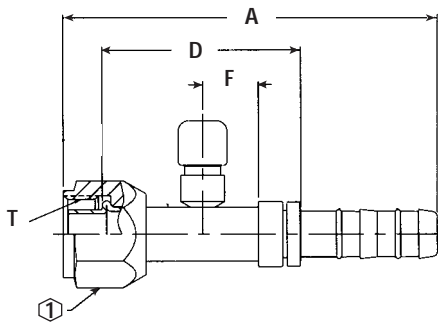
FJ3162



Straight - Female O-ring (long pilot) with Switch Port (7/16-20 thd)

PART NUMBER	TH'D "T"	HOSE SIZE	A REF	D REF	F REF	H REF	① REF
FJ3162-0808S	3/4-16	8	4.09	2.16	0.79	—	0.88
FJ3162-1010S	7/8-14	10	4.25	2.25	0.79	—	1.06
FJ3162-1012S	7/8-14	12	4.27	2.25	0.79	—	1.06
FJ3162-1212S	1-1/16-14	12	4.86	2.71	0.79	—	1.25
FJ3162-1016S	7/8-14	16	4.42	2.30	0.79	—	1.06

FJ3416

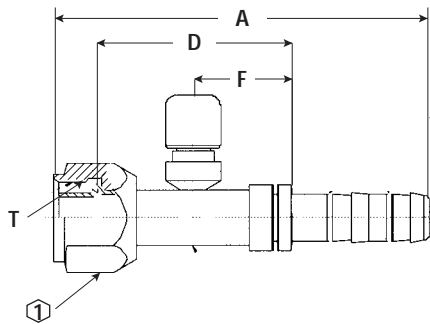


Straight - Female O-ring (long pilot) with Switch Port (M10 X 1.25)

PART NUMBER	TH'D "T"	HOSE SIZE	A REF	D REF	F REF	H REF	① REF
FJ3416-01-1010S	7/8-14	10	4.25	2.25	.63	—	1.06
FJ3416-02-0808S*	7/8-14	8	4.25	2.25	.63	—	1.06

*MTO (made to order)

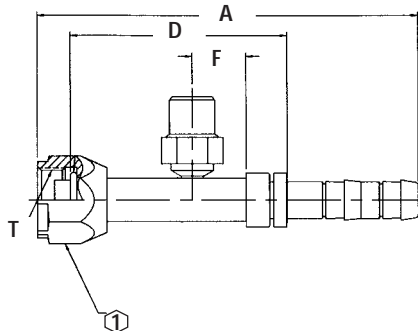
FJ3461



Straight - Female O-ring (long pilot) with Switch Port (M12 X 1.25)

PART NUMBER	TH'D "T"	HOSE SIZE	A REF	D REF	F REF	H REF	① REF
FJ3461-01-1010S	7/8-14	10	4.25	2.25	.63	—	1.06
FJ3461-02-1012S	7/8-14	12	4.27	2.25	.63	—	1.06
FJ3461-03-1212S	1-1/16-14	12	4.86	2.71	.54	—	1.25

EJ3299

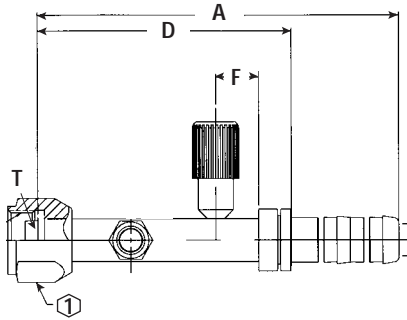


Straight - Female o-ring (short pilot) with Switch Port (M12 X 1.25)

PART NUMBER	TH'D "T"	HOSE SIZE	A REF	D REF	F REF	H REF	① REF
EJ3299-01-0808S	3/4-16	8	4.46	2.53	.63	—	.88

E-Z Clip System™ Fittings

FJ3363

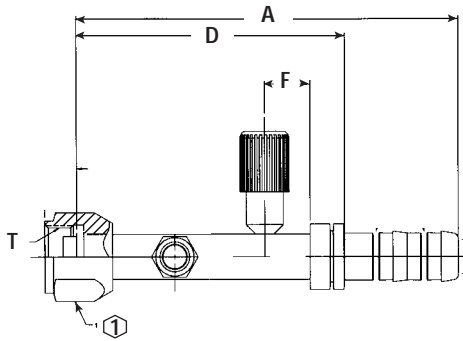


Straight - Female O-ring (short pilot), with R134a High side port and female switch connection, (1/8-27 thread)

PART NUMBER	TH'D "T"	HOSE SIZE	A REF	D REF	F REF	H REF	① REF
FJ3363-03-0808S*	3/4-16	8	5.16	3.62	.63	—	.88
FJ3363-02-0810S*	3/4-16	10	5.54	3.62	.63	—	.88

*MTO (made to order)

FJ3363

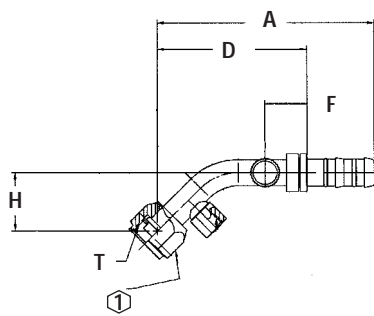


Straight - Female O-ring (short pilot), with R134a Low side port and female switch connection, (1/8-27 thread)

PART NUMBER	TH'D "T"	HOSE SIZE	A REF	D REF	F REF	H REF	① REF
FJ3363-01-1012S	7/8-14	12	5.30	3.72	.63	—	1.06

*MTO (made to order)

FJ3365

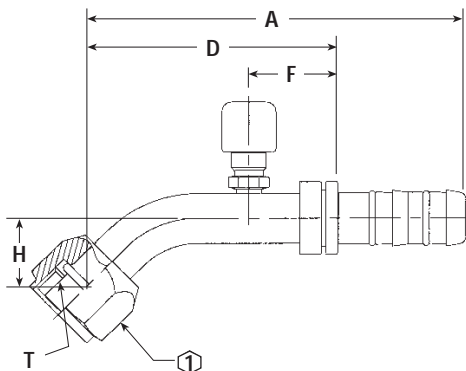


45° Female O-ring (short pilot) with R134a Low side port and Switch port

PART NUMBER	TH'D "T"	HOSE SIZE	A REF	D REF	F REF	H REF	① REF
FJ3365-01-1012S*	7/8-14	12	5.09	3.51	0.50	1.43	1.125

*MTO (made to order)

FJ3230

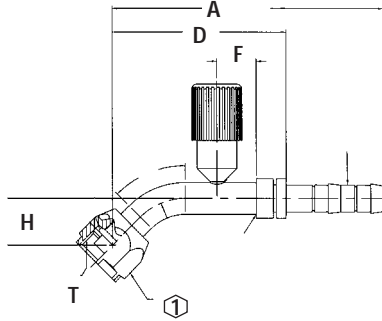


45° Female O-ring (long pilot) with Switch Port (7/16-20 thd)

PART NUMBER	TH'D "T"	HOSE SIZE	A REF	D REF	F REF	H REF	① REF
FJ3230-01-0810S	3/4-16	10	4.61	2.58	0.63	0.80	0.88
FJ3230-02-1012S	7/8-14	12	4.73	2.67	0.63	0.89	1.06
FJ3230-03-0808S	3/4-16	8	4.43	2.40	0.63	0.73	0.88
FJ3230-04-1010S	7/8-14	10	5.00	2.97	0.63	1.19	1.06
FJ3230-05-1016S	7/8-14	16	4.88	2.67	0.63	0.89	1.06

E-Z Clip System™ Fittings

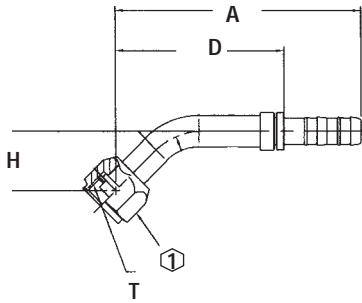
EJ3410



45° Female O-ring (short pilot) with R134a High Side Port

PART NUMBER	TH'D "T"	HOSE SIZE	A REF	D REF	F REF	H REF	① REF
EJ3410-0808S	3/4-16	8	4.3	2.76	0.62	0.73	0.88

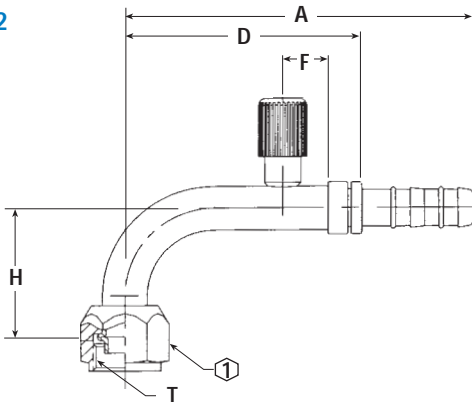
EJ3543



45° Female O-ring (short pilot) with R134a Low Side Port (rotated 270°)

PART NUMBER	TH'D "T"	HOSE SIZE	A REF	D REF	F REF	H REF	① REF
EJ3543-1010S	7/8-14	10	4.99	3.44	0.52	1.19	1.06

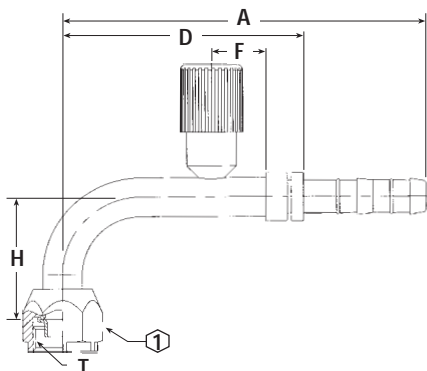
FJ3012



90° Female O-ring (short pilot) with R134a Low Side Port

PART NUMBER	TH'D "T"	HOSE SIZE	A REF	D REF	F REF	H REF	① REF
FJ3012-02-1010S	7/8-14	10	4.88	3.33	0.63	1.89	1.06
FJ3012-01-1012S	7/8-14	12	4.83	3.25	0.63	1.89	1.06
FJ3012-03-1212S	1-1/16-14	12	5.10	3.52	0.63	2.56	1.25

FJ3013/ EJ3302

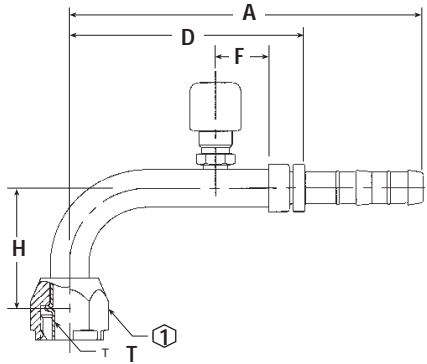


90° Female O-ring (short pilot) with R134a High Side Port

PART NUMBER	TH'D "T"	HOSE SIZE	A REF	D REF	F REF	H REF	① REF
FJ3013-02-0606S	5/8-18	6	4.35	2.82	0.63	1.38	0.75
FJ3013-03-0808S	3/4-16	8	4.61	3.07	0.69	1.62	0.88
FJ3013-01-0810S	3/4-16	10	4.53	2.98	0.69	1.62	0.88
EJ3302-01-0608S	M18 x 1.5	8	4.36	2.82	0.94	1.38	0.88
EJ3302-01-0808S	M20 x 1.5	8	4.52	2.98	0.69	1.62	0.94

E-Z Clip System™ Fittings

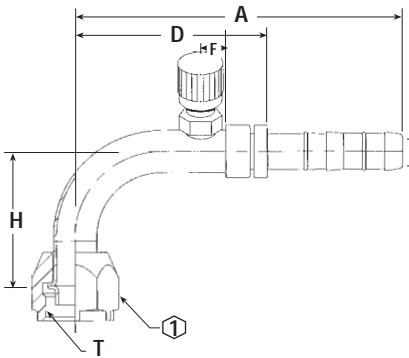
FJ3289



90° Female O-ring (long pilot) with Switch Port (7/16-20 thd)

PART NUMBER	TH'D "T"	HOSE SIZE	A REF	D REF	F REF	H REF	① REF
FJ3289-01-0808S	3/4-16	8	4.61	2.59	0.69	1.62	0.88
FJ3289-02-1010S	7/8-14	10	4.80	2.77	0.63	1.93	1.06
FJ3289-03-0606S	5/8-18	6	4.35	2.82	0.69	1.35	0.75
FJ3289-04-0810S	3/4-16	10	4.62	2.59	0.69	1.62	0.88
FJ3289-05-1012S	7/8-14	12	4.82	2.77	0.63	1.93	1.06

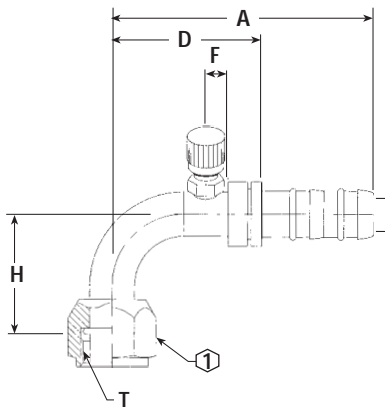
FJ3163



90° Elbow - Female O-ring (short pilot) with Switch Port (7/16-20 thd)

PART NUMBER	TH'D "T"	HOSE SIZE	A REF	D REF	F REF	H REF	① REF
FJ3163-01-1010S	7/8-14	10	4.80	3.25	0.79	1.89	1.06
FJ3163-02-1212S	1-1/16-14	12	5.08	3.50	0.79	2.56	1.25

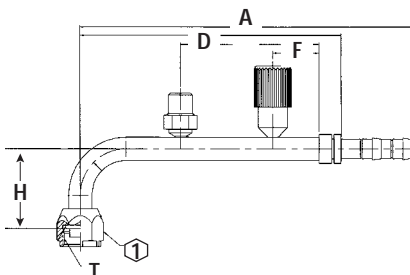
FJ3047



90° Female O-ring (long pilot) with Charge Port (7/16-20 thd) - 45° Port Rotation

PART NUMBER	TH'D "T"	HOSE SIZE	A REF	D REF	F REF	H REF	① REF
FJ3047-1012S	7/8-14	12	4.06	2.48	0.50	1.69	1.06
FJ3047-1016S	7/8-14	16	4.21	2.53	0.50	1.69	1.06

EJ3298

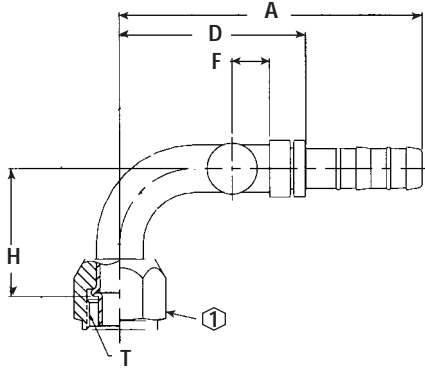


90° Female O-ring (short pilot) with R134a High Side Port and a Switch Port

PART NUMBER	TH'D "T"	HOSE SIZE	A REF	D REF	F REF	H REF	① REF
EJ3298-01-0808S	3/4-16	8	7.22	5.67	1	1.71	0.88

E-Z Clip System™ Fittings

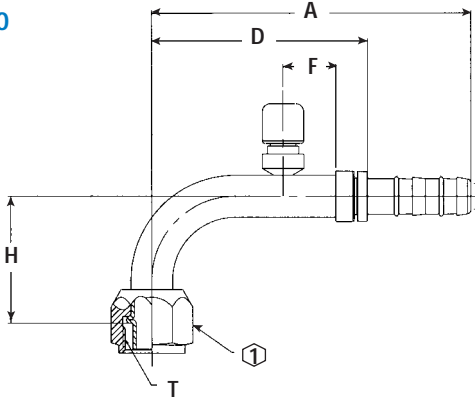
FJ3444



90° Female O-ring (long pilot) with Switch Port (7/16-20 thd) - 90° Port Rotation

PART NUMBER	TH'D "T"	HOSE SIZE	A REF	D REF	F REF	H REF	① REF
FJ3444-1010S	7/8-14	10	4.03	2.48	.50	1.69	1.06

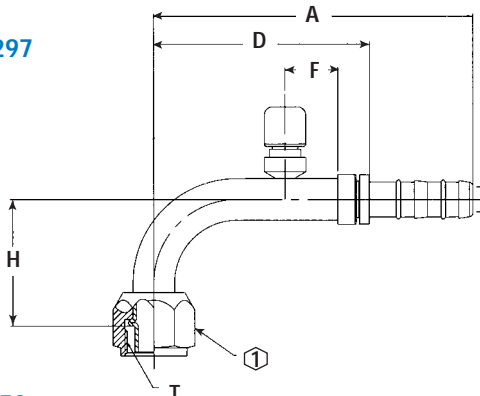
FJ3460



90° Female O-ring (long pilot) with Switch Port (M12 X 1.25)

PART NUMBER	TH'D "T"	HOSE SIZE	A REF	D REF	F REF	H REF	① REF
FJ3460-01-1010S	7/8-14	10	4.80	3.25	0.79	1.89	1.06
FJ3460-02-1012S	7/8-14	12	4.83	3.25	0.79	1.89	1.06
FJ3460-03-1212S	1-1/16-14	12	5.08	3.50	.54	2.56	1.25

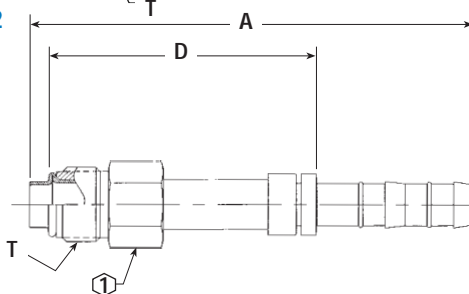
EJ3297



90° Female O-ring (short pilot) with Switch Port (M12 X 1.25)

PART NUMBER	TH'D "T"	HOSE SIZE	A REF	D REF	F REF	H REF	① REF
EJ3297-01-0808S	3/4-16	8	4.16	2.62	0.87	1.68	0.88

FJ3052

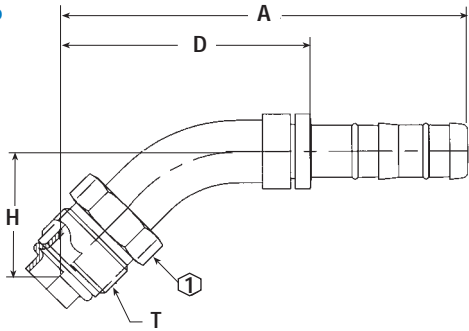


Straight Male O-ring (short pilot)

PART NUMBER	TH'D "T"	HOSE SIZE	A REF	D REF	F REF	H REF	① REF
FJ3052-0606S	5/8-18	6	3.41	1.70	—	—	0.62
FJ3052-0608S	5/8-18	8	3.43	1.70	—	—	0.62
FJ3052-0808S	3/4-18	8	4.37	2.64	—	—	0.75
FJ3052-1010S	7/8-18	10	3.66	1.92	—	—	0.88
FJ3052-1012S	7/8-18	12	3.68	1.92	—	—	0.88
FJ3052-1212S	1-1/16-16	12	3.68	1.92	—	—	1.06
FJ3052-1016S	7/8-18	16	4.33	2.47	—	—	0.88
FJ3052-1216S	1 1/16 -16	16	4.28	2.42	—	—	1.06

E-Z Clip System™ Fittings

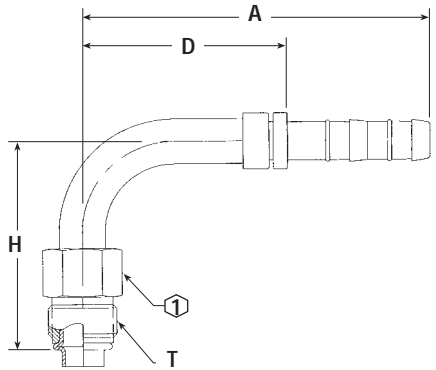
FJ3116



45° Male O-ring (short pilot)

PART NUMBER	TH'D " T"	HOSE SIZE	A REF	D REF	F REF	H REF	⊕ REF
FJ3116-01-0606S	5/8-18	6	3.99	2.47	—	0.94	0.62
FJ3116-03-0808S	3/4-18	8	4.59	2.83	—	1.20	0.75
FJ3116-02-1010S	7/8-18	10	4.65	3.10	—	1.46	0.88
FJ3116-04-0608S	5/8-18	8	4.01	2.47	—	0.94	0.62

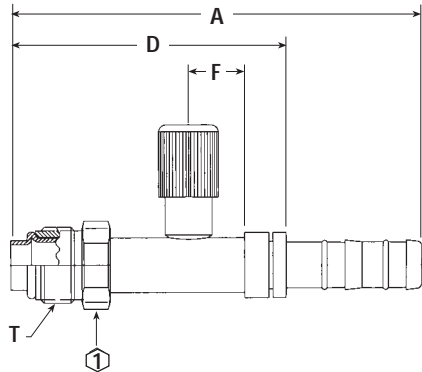
FJ3019



90° Male O-ring (short pilot)

PART NUMBER	TH'D " T"	HOSE SIZE	A REF	D REF	F REF	H REF	⊕ REF
FJ3019-03-0606S	5/8-18	6	3.33	1.80	—	1.77	0.62
FJ3019-02-0608S	5/8-18	8	3.34	1.80	—	1.77	0.62
FJ3019-04-0808S	3/4-18	8	3.77	2.23	—	2.31	0.75
FJ3019-06-0810S	3/4-18	10	3.78	2.23	—	2.31	0.75
FJ3019-01-1012S	7/8-18	12	4.24	2.67	—	2.45	0.88
FJ3019-05-1212S	1-1/16-16	12	4.22	2.64	—	2.79	1.06
FJ3019-07-1010S	7/8-18	10	4.22	2.67	—	2.45	0.88
FJ3019-08-1210S	1-1/16-16	10	4.19	2.64	—	2.79	1.06

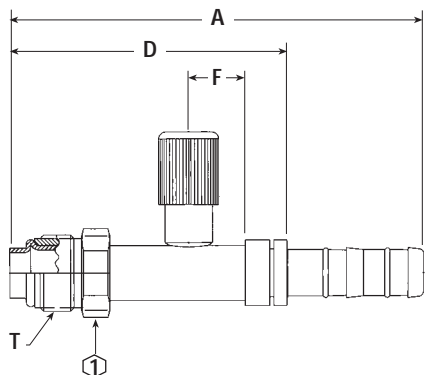
FJ3132



Straight Male O-ring (short pilot) with R134a Low Side Port

PART NUMBER	TH'D " T"	HOSE SIZE	A REF	D REF	F REF	H REF	⊕ REF
FJ3132-01-1010S	7/8-18	10	4.43	2.70	0.63	—	0.88
FJ3132-02-1012S	7/8-18	12	4.46	2.70	0.63	—	0.88

FJ3131

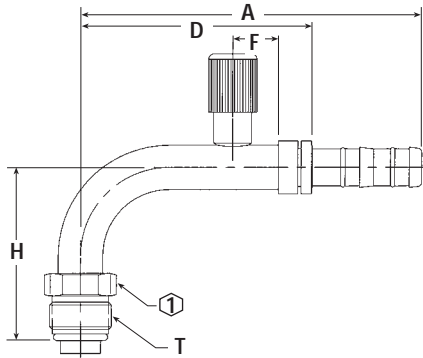


Straight Male O-ring (short pilot) with R134a High Side Port

PART NUMBER	TH'D " T"	HOSE SIZE	A REF	D REF	F REF	H REF	⊕ REF
FJ3131-01-0606S	5/8-18	6	4.18	2.47	0.63	—	0.62
FJ3131-02-0808S	3/4-18	8	4.58	2.85	0.63	—	0.75
FJ3131-03-1010S	7/8-18	10	4.34	2.61	0.63	—	0.88

E-Z Clip System™ Fittings

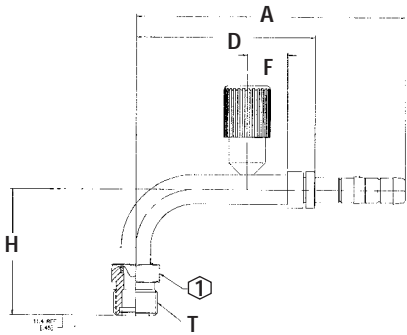
FJ3134



90° Elbow Male O-ring (short pilot) with R134a High Side Port

PART NUMBER	TH'D "T"	HOSE SIZE	A REF	D REF	F REF	H REF	① REF
FJ3134-01-0606S	5/8-18	6	4.34	2.82	0.63	1.75	0.62
FJ3134-02-0808S	3/4-18	8	4.61	3.07	0.63	2.31	0.75
FJ3134-03-1010S	7/8-18	10	4.81	3.25	0.63	2.34	0.88

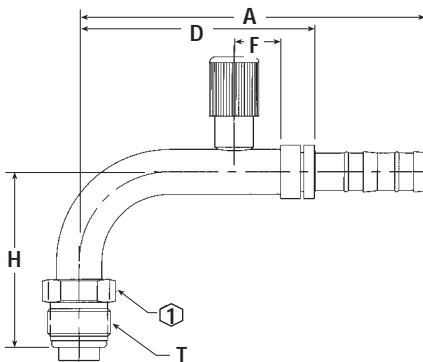
FJ3611



90° Elbow Male MIO with R134a High Side Port

PART NUMBER	TH'D "T"	HOSE SIZE	A REF	D REF	F REF	H REF	① REF
FJ3611-01-0808S	3/4-16	8	4.61	3.07	0.69	2.17	0.813

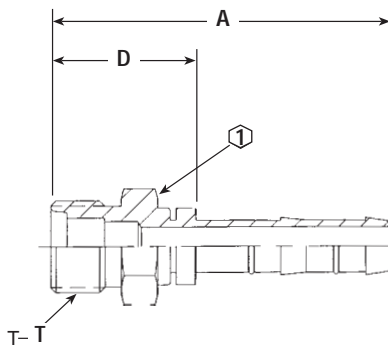
FJ3135



90° Elbow Male O-ring (short pilot) with R134a Low Side Port

PART NUMBER	TH'D "T"	HOSE SIZE	A REF	D REF	F REF	H REF	① REF
FJ3135-01-1010S	7/8-18	10	4.81	3.25	0.63	2.34	0.88
FJ3135-02-1012S	7/8-18	12	4.81	3.25	0.63	2.34	0.88

FJ3026

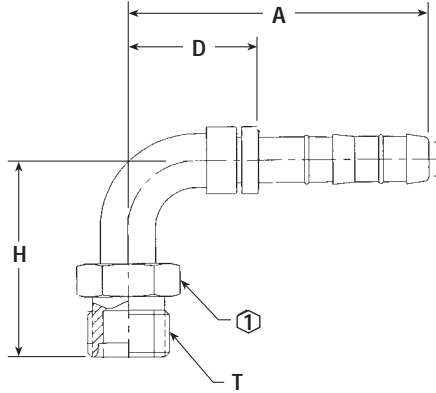


Male MIO (male insert O-ring) Straight

PART NUMBER	TH'D "T"	HOSE SIZE	A REF	D REF	F REF	H REF	① REF
FJ3026-0606S	5/8-18	6	3.36	1.83	—	—	0.690
FJ3026-0808S	3/4-16	8	2.69	1.15	—	—	0.810
FJ3026-1010S	7/8-14	10	2.90	1.35	—	—	0.940
FJ3026-1012S	7/8-14	12	4.11	2.50	—	—	0.940
FJ3026-1212S	1-1/16-14	12	4.29	2.71	—	—	1.125

E-Z Clip System™ Fittings

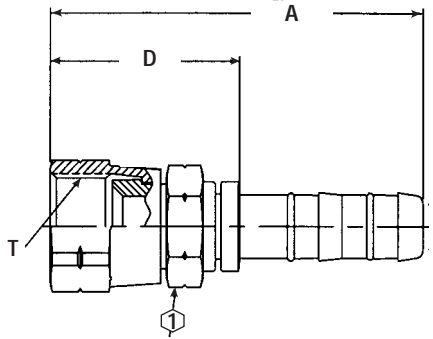
FJ3056



90° Male MIO – (male insert O-ring)

PART NUMBER	TH'D "T"	HOSE SIZE	A REF	D REF	F REF	H REF	① REF
FJ3056-01-0606S	5/8-18	6	2.50	0.98	—	1.44	0.69
FJ3056-02-0808S	3/4-16	8	2.74	1.20	—	1.82	0.81
FJ3056-03-1010S	7/8-14	10	3.09	1.54	—	2.13	0.94
FJ3056-04-0810S	3/4-16	10	2.75	1.20	—	1.82	0.81
FJ3056-05-0608S	5/8-18	8	2.52	0.98	—	1.44	0.69

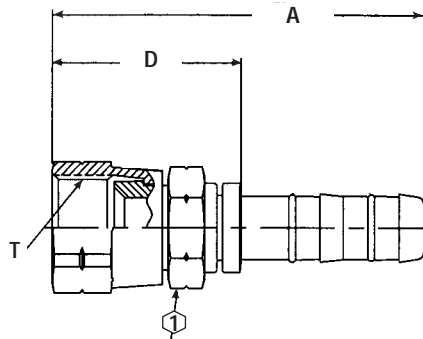
FJ3057



Female SAE 45° Flares

PART NUMBER	TH'D "T"	HOSE SIZE	A REF	D REF	F REF	H REF	① REF
FJ3057-01-0606S	5/8-18	6	2.88	1.35	—	—	0.56
FJ3057-02-0608S	5/8-18	8	3.14	1.62	—	—	0.75
FJ3057-03-0808S	3/4-16	8	2.96	1.42	—	—	0.69
FJ3057-04-0810S	3/4-16	10	3.56	2.02	—	—	0.88
FJ3057-05-1010S	7/8-14	10	3.63	2.08	—	—	1.00
FJ3057-06-1012S	7/8-14	12	3.66	2.08	—	—	1.00
FJ3057-07-1212S	1-1/16-14	12	3.20	1.62	—	—	1.25

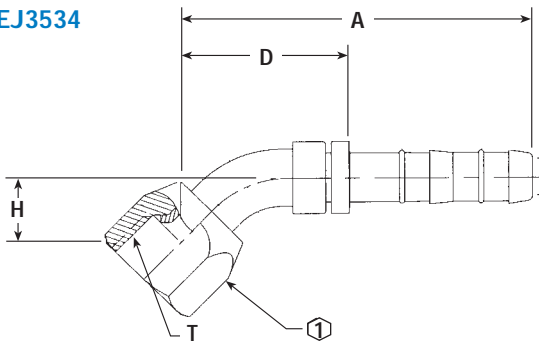
FJ3731



Straight - Female 37° Flares

PART NUMBER	TH'D "T"	HOSE SIZE	A REF	D REF	F REF	H REF	① REF
FJ3731-1010S	7/8-14	10	4.21	2.66	—	—	1.00
FJ3731-0606S	9/16-18	6	3.66	2.13	—	—	0.68
FJ3731-0808S	3/4-16	8	4.35	2.81	—	—	0.88
FJ3731-1212S	1-1/16-12	12	4.62	3.04	—	—	1.25
FJ3731-1616S	1-5/16-12	16	5.99	4.31	—	—	1.50

EJ3534

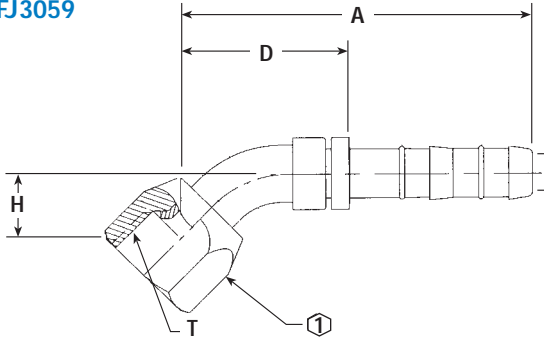


45° Female JIC 37° Flare

PART NUMBER	TH'D "T"	HOSE SIZE	A REF	D REF	F REF	H REF	① REF
EJ3534-02-0606S	9/16-18	6	3.31	1.79	—	—	1.00
EJ3534-03-0608S	9/16-18	8	3.76	3.22	—	—	0.68
EJ3534-04-0808S	3/4-16	8	4.04	2.49	—	—	0.88
EJ3534-05-1010S	7/8-14	10	4.21	2.66	—	—	1.25
EJ3534-06-1212S	1-1/16-12	12	4.30	2.73	—	—	1.50
EJ3534-06-1616S	1-5/16-12	16	5.46	3.79	—	—	1.50

E-Z Clip System™ Fittings

FJ3059

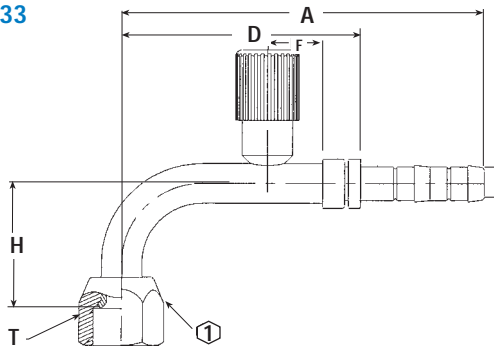


45° Female SAE 45° and Universal Flares

PART NUMBER	TH'D " T"	HOSE SIZE	A REF	D REF	F REF	H REF	Ⓢ REF
FJ3059-01-0606S†	5/8-18	6	2.61	1.08	—	0.39	0.75
FJ3059-02-0608S†	5/8-18	8	2.62	1.08	—	0.39	0.75
FJ3059-03-0808S*	3/4-16	8	2.97	1.43	—	0.55	0.88
FJ3059-04-0810S*	3/4-16	10	2.98	1.43	—	0.55	0.88
FJ3059-05-1010S*	7/8-14	10	3.08	1.53	—	0.63	1.00
FJ3059-06-1012S*	7/8-14	12	3.11	1.53	—	0.63	1.00

†Double notch in nut for universal type identification
*Universal Flare

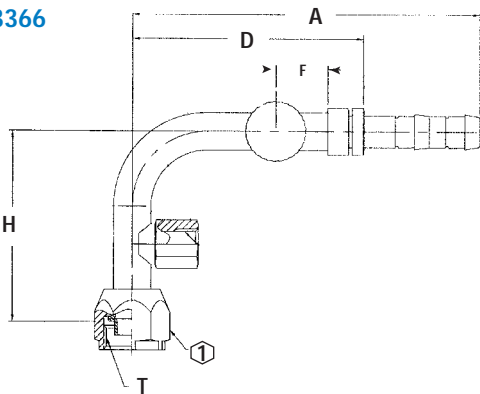
FJ3133



90° Female SAE 45° With High Side Charge Port (R134a)

PART NUMBER	TH'D " T"	HOSE SIZE	A REF	D REF	F REF	H REF	Ⓢ REF
FJ3133-01-0606S	5/8-18	6	4.35	2.82	0.63	1.28	0.75
FJ3133-02-0808S	3/4-16	8	4.61	3.07	0.63	1.53	0.88
FJ3133-03-1010S	7/8-14	10	4.80	3.25	0.63	1.84	0.88

FJ3366

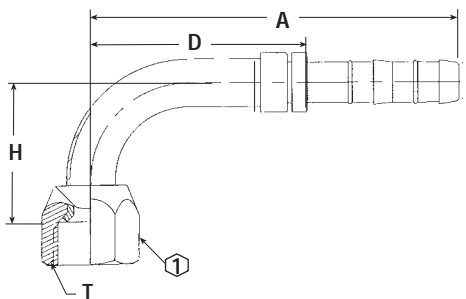


SAE 90° and with R134a C/Port and Switch Port

PART NUMBER	TH'D " T"	HOSE SIZE	A REF	D REF	F REF	H REF	Ⓢ REF
FJ3366-01-0810S*	3/4-16	10	4.62	3.07	0.69	2.53	0.875
FJ3366-02-0808S*	3/4-16	8	4.61	3.07	0.69	2.53	0.875

*MTO (made to order)

FJ3149



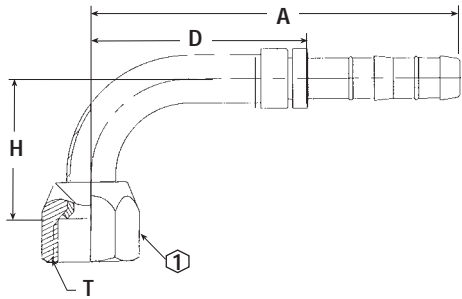
90° Female SAE 45° and Universal Flares

PART NUMBER	TH'D " T"	HOSE SIZE	A REF	D REF	F REF	H REF	Ⓢ REF
FJ3149-01-0606S†	5/8-18	6	2.51	0.98	—	0.85	0.75
FJ3149-02-0608S†	5/8-18	8	2.52	0.98	—	0.85	0.75
FJ3149-03-0808S*	3/4-16	8	2.74	1.20	—	1.09	0.88
FJ3149-04-1010S*	7/8-14	10	3.09	1.54	—	1.19	1.00
FJ3149-05-1012S*	7/8-14	12	3.09	1.54	—	1.19	1.00
FJ3149-06-1212S†	1-1/16-14	12	3.68	2.11	—	1.80	1.25

†Double notch in nut for universal type identification
*Universal Flare

E-Z Clip System™ Fittings

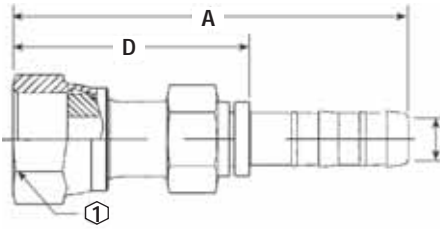
EJ3533



90° Female JIC 37° Flare

PART NUMBER	TH'D " T"	HOSE SIZE	A REF	D REF	F REF	H REF	⊕ REF
EJ3533-02-0606S	9/16-18	6	3.27	1.74	—	1.69	0.69
EJ3533-03-0608S	9/16-18	8	3.28	1.74	—	1.69	0.69
EJ3533-04-0808S	3/4-16	8	3.14	1.60	—	1.77	0.88
EJ3533-05-1010S	7/8-14	10	3.78	2.23	—	2.59	1.00
EJ3533-06-1212S	1 1/16-12	12	4.11	2.53	—	3.02	1.25
EJ3533-07-1616S	1 5/16-12	16	5.16	3.48	—	3.86	1.50

GA23911

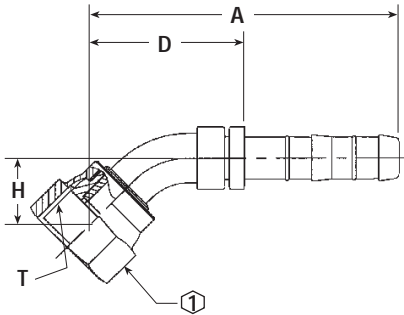


Straight - ORS Female Swivel Metric Hex Nut^Δ

PART NUMBER	TH'D " T"	HOSE SIZE	A REF	D REF	F REF	H REF	⊕ REF
GA23911-6-6	1-1/16-16	6	2.95	1.43	-	-	22mm
GA23911-8-8	1-3/16-16	8	3.17	1.62	-	-	24mm
GA23911-10-12	1-14	12	3.32	1.74	-	-	30mm
GA23911-10-10	1-14	10	3.33	1.78	-	-	30mm
GA23911-12-12	1-3/16-12	12	3.320	1.52	-	-	41mm

ΔMetric Hex

FJ3161 GA23912

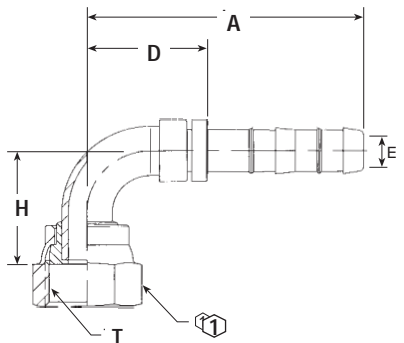


45° ORS Female Swivel

PART NUMBER	TH'D " T"	HOSE SIZE	A REF	D REF	F REF	H REF	⊕ REF
FJ3161-01-0606S	11/16-16	6	2.65	1.12	—	0.44	0.81
FJ3161-02-0808S	13/16-16	8	3.02	1.47	—	0.59	0.94
FJ3161-03-1010S	1-14	10	3.22	1.67	—	0.70	1.13
FJ3161-04-1008S	1-14	8	3.32	1.78	—	0.70	1.13
GA23912-10-8*	1-14	8	3.50	1.96	—	0.68	30mm
GA23912-12-12*	1-3/16-12	12	4.23	2.65	—	0.83	36mm

* GA Part numbers have a metric hex

FJ5994/ GA23913



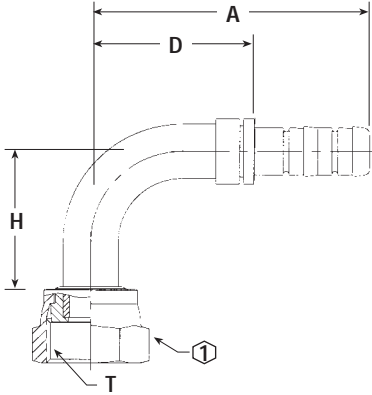
90° ORS Female Swivel

PART NUMBER	TH'D " T"	HOSE SIZE	A REF	D REF	F REF	H REF	⊕ REF
FJ5994-01-0606S*	1-1/16-16	6	2.50	0.98	—	0.91	0.81
FJ5994-02-0808S*	13/16-16	8	2.74	1.20	—	1.15	0.94
FJ5994-04-1010S*	1-14	10	3.09	1.53	—	1.27	1.12
FJ5994-03-1212S*	1-3/16-12	12	3.36	1.78	—	1.90	1.38
FJ5994-05-0406S*	9/16-18	6	2.44	0.92	—	0.82	0.69
FJ5994-05-1012S*	1-14	12	3.11	1.53	—	1.78	1.13
FJ5994-07-0806S*	13/16-16	6	2.66	1.10	—	1.15	0.94
FJ5994-09-1016S	1-14	16	3.30	1.62	—	1.78	1.125
GA23913-10-12*	1-14	12	3.67	2.10	—	1.54	1.18

* GA Part numbers have a metric hex

E-Z Clip System™ Fittings

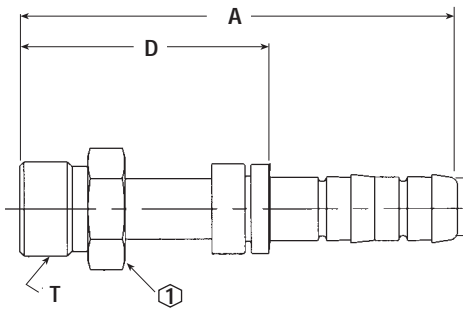
FJ3319



90° ORS Female Swivel (long drop)

PART NUMBER	TH'D "T"	HOSE SIZE	A REF	D REF	F REF	H REF	⊕ REF
FJ3319-1212S	1-3/16-12	12	3.82	2.24	—	2.38	1.13

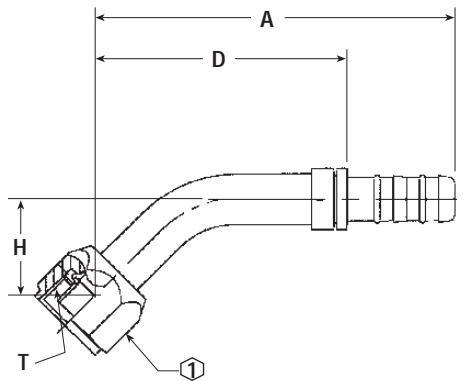
FJ3136



Straight Male O-ring (rigid) Metric Thread

PART NUMBER	TH'D "T"	HOSE SIZE	A REF	D REF	F REF	H REF	⊕ REF
FJ3136-0810S	M20 x 1.5	10	3.62	2.07	0.69	—	0.88

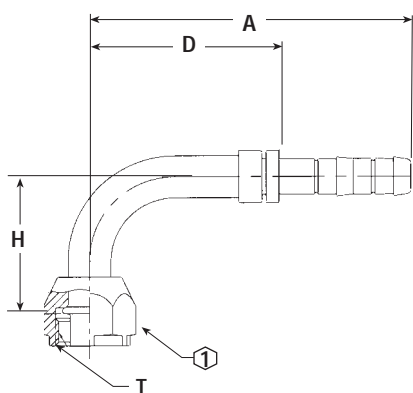
FJ3192



45° Female O-ring (long pilot, metric thread)

PART NUMBER	TH'D "T"	HOSE SIZE	A REF	D REF	F REF	H REF	⊕ REF
FJ3192-02-1212S	M27x2	12	4.74	3.17	—	1.47	1.25
FJ3192-01-1212S	M27x2	12	5.33	3.75	—	2.56	1.30

FJ3111 FJ3409



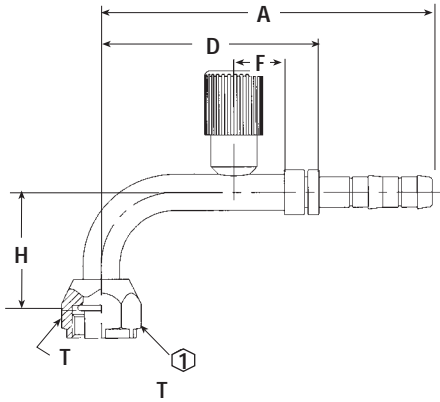
90° Female O-ring (long pilot) Metric Thread

PART NUMBER	TH'D "T"	HOSE SIZE	A REF	D REF	F REF	H REF	⊕ REF
FJ3111-01-0808S	M20 x 1.5	8	3.77	2.23	—	1.62	0.94
FJ3111-02-0810S	M20 x 1.5	10	3.78	2.23	—	1.62	0.94
FJ3111-03-0806S*	M20 x 1.5	6	3.75	2.23	—	1.62	0.94
FJ3409-1212S	M27 x 2	12	4.74	3.16	—	2.56	1.25

*MTO (made to order)

E-Z Clip System™ Fittings

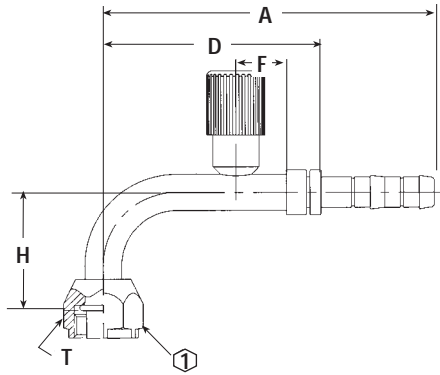
FJ3892



90° Female O-ring (long pilot) with R134a Low Side Port (Metric Thread)

PART NUMBER	TH'D "T"	HOSE SIZE	A REF	D REF	F REF	H REF	① REF
FJ3892-01-1010S	M24 x 1.5	10	4.88	3.33	.63	1.89	1.125

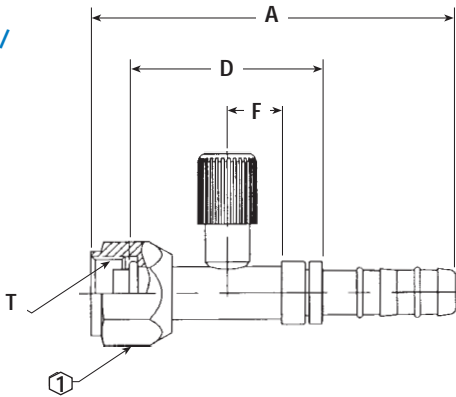
FJ3112



90° Female O-ring (long pilot) Metric Thread with High Side Charge Port (R134a)

PART NUMBER	TH'D "T"	HOSE SIZE	A REF	D REF	F REF	H REF	① REF
FJ3112-01-0808S	M20 x 1.5	8	4.52	2.98	0.69	1.62	0.94
FJ3112-02-0810S	M20 x 1.5	10	4.53	2.98	0.69	1.62	0.94
FJ3112-03-0806S	M20 x 1.5	6	4.50	2.98	0.69	1.62	0.94
FJ3112-03-1010S	M24 x 1.5	10	4.88	3.33	0.63	1.89	1.125

FJ3890/ FJ3301

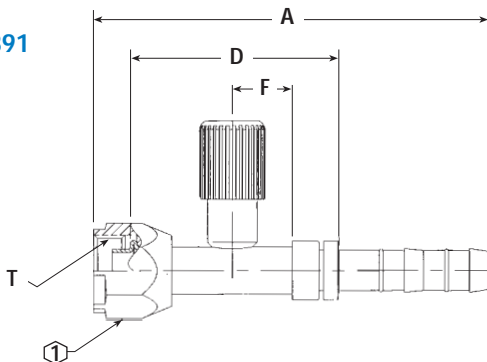


Straight - Female O-ring (long pilot) with R134a High Side Port (Metric Thread)

PART NUMBER	TH'D "T"	HOSE SIZE	A REF	D REF	F REF	H REF	① REF
FJ3890-01-0806S	M20 x 1.5	6	4.06	2.16	0.63	—	0.94
FJ3301-01-0606S*	M18 x 1.5	6	3.91	2.10	0.63	—	0.94

*MTO (made to order)

FJ3891

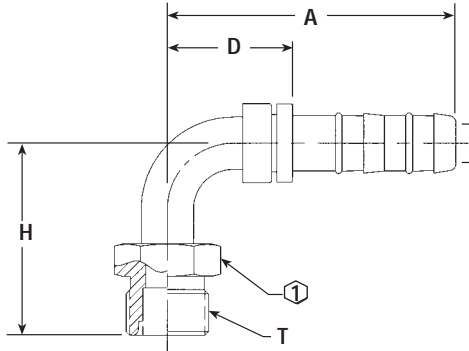


Straight - Female O-ring (long pilot) with R134a Low Side Port (Metric Thread)

PART NUMBER	TH'D "T"	HOSE SIZE	A REF	D REF	F REF	H REF	① REF
FJ3891-01-1010S	M24 x 1.5	10	4.24	2.25	0.62	1.62	1.125

E-Z Clip System™ Fittings

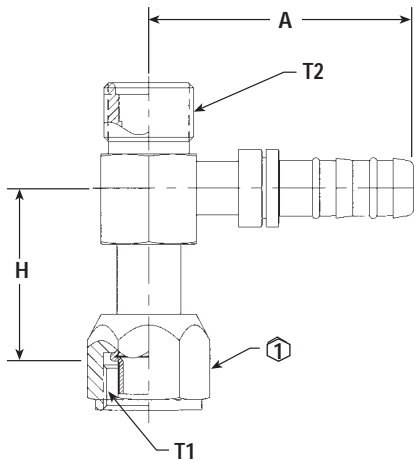
FJ3113



90° Male O-ring (rigid) Metric Thread

PART NUMBER	TH'D "T"	HOSE SIZE	A REF	D REF	F REF	H REF	① REF
FJ3113-0810S	M20 x 1.5	10	2.75	1.20	—	1.82	0.88

FJ3067 FJ3495

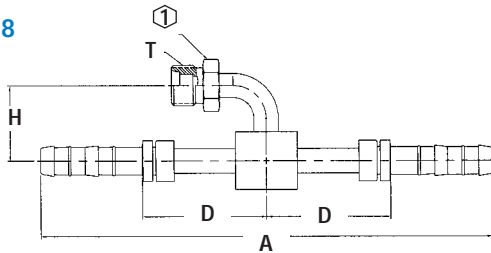


GM Tie In - Metric Tee

PART NUMBER	TH'D "T"	HOSE SIZE	A REF	D REF	F REF	H REF	① REF
FJ3067-1212S*	M27 x 2	12	3.12	—	—	2.02	1.25
FJ3495-0808S	M20 x 1.5	8	2.71	—	—	1.68	0.94

*MTO (made to order)

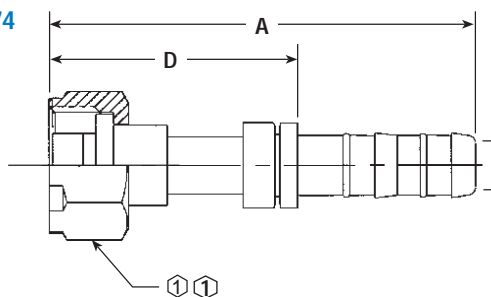
EJ3158



Tee Style Fitting with Male O-ring Connection

PART NUMBER	TH'D "T"	HOSE SIZE	A REF	D REF	F REF	H REF	① REF
EJ3158-101212S	7/8-14	12	5.67	1.26	—	1.49	0.94
EJ3158-121616S	1-1/16-14	16	6.79	1.72	—	2.13	1.13
EJ3158-060808S	5/8-18	8	6.86	1.88	—	1.14	0.69

FJ3274



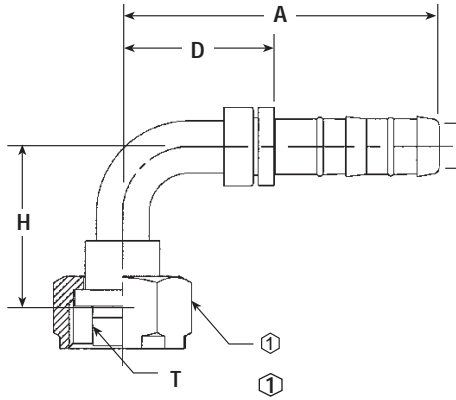
Straight - Female Rotalok

PART NUMBER	TH'D "T"	HOSE SIZE	A REF	D REF	F REF	H REF	① REF
FJ3274-1010S	1-14	10	3.69	2.14	—	—	1.13
FJ3274-1012S*	1-14	12	3.75	2.14	—	—	1.13

*MTO (made to order)

E-Z Clip System™ Fittings

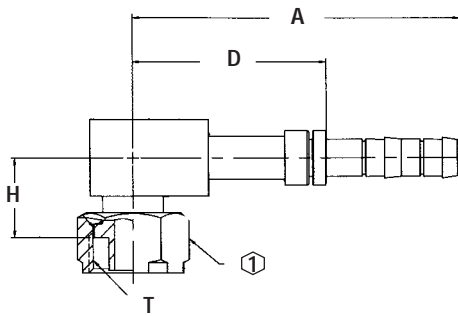
FJ3225



90° Female Rotalok

PART NUMBER	TH'D "T"	HOSE SIZE	A REF	D REF	F REF	H REF	① REF
FJ3225-1010S	1-14	10	2.98	1.43	—	1.52	1.13
FJ3225-1008S	1-14	8	2.98	1.43	—	1.52	1.13
FJ3225-1012S	1-14	12	3.11	1.54	—	1.62	1.13

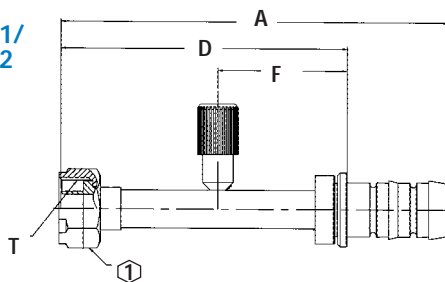
EJ3321



Short Drop 90° Female Rotalok

PART NUMBER	TH'D "T"	HOSE SIZE	A REF	D REF	F REF	H REF	① REF
EJ3321-1008S	1-14	8	3.62	2.07	—	0.91	1.13
EJ3321-1012S	1-14	12	3.87	2.29	—	0.91	1.13

EJ3421/ EJ3422

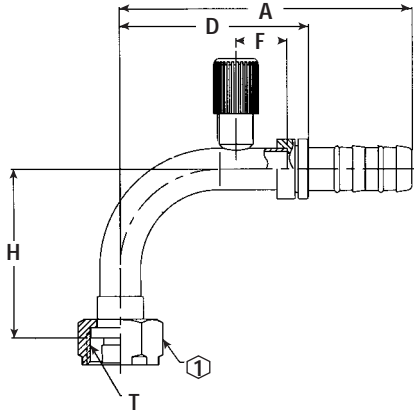


45° Female Rotalok

PART NUMBER	TH'D "T"	HOSE SIZE	A REF	D REF	F REF	PORT	① REF
EJ3421-1012S	1-14	12	6.44	4.86	2.17	Low	1.13
EJ3422-1016S	1-14	16	6.45	4.77	2.15	High	1.13

E-Z Clip System™ Fittings

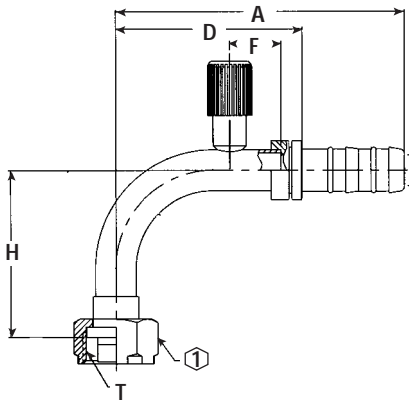
FJ3510



90° Female Rotalok with R134a Low Side Port

PART NUMBER	TH'D "T"	HOSE SIZE	A REF	D REF	F REF	H REF	① REF
FJ3510-1012S	1-14	12	4.48	2.88	.79	2.58	1.13

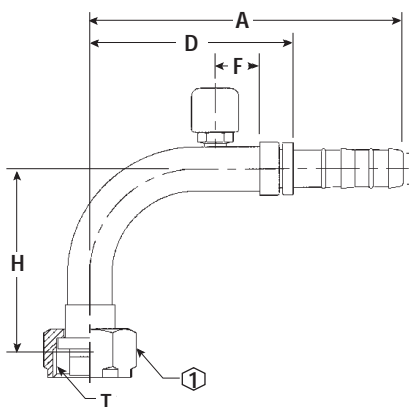
FJ3511



90° Female Rotalok with R134a High Side Port

PART NUMBER	TH'D "T"	HOSE SIZE	A REF	D REF	F REF	H REF	① REF
FJ3511-1010S	1-14	10	4.43	2.88	.79	2.58	1.13

FJ3226

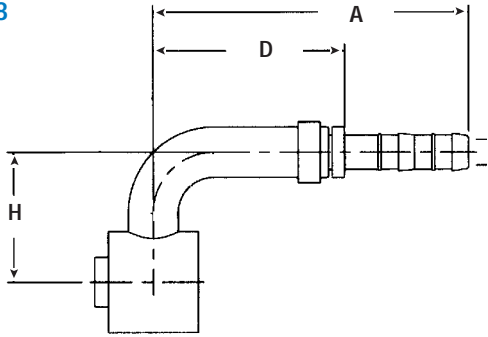


90° Female Rotalok with Switch Port (7/16-20 thread)

PART NUMBER	TH'D "T"	HOSE SIZE	A REF	D REF	F REF	H REF	① REF
FJ3226-1010S	1-14	10	4.43	2.88	0.63	2.56	1.13

E-Z Clip System™ Fittings

FJ3568

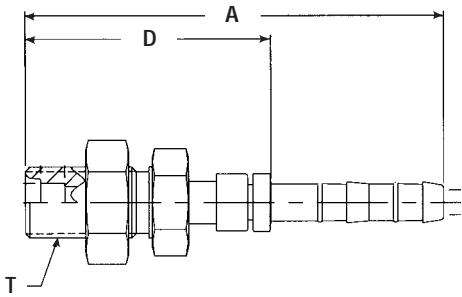


90° GM Block Style

PART NUMBER	TH'D "T"	HOSE SIZE	A REF	D REF	F REF	H REF	Ⓛ REF
FJ3568-1008S*	—	8	3.92	2.38	—	1.60	—
FJ3568-1010S*	—	10	3.83	2.28	—	2.31	—
FJ3568-1012S*	—	12	3.86	2.28	—	2.38	—

*MTO (made to order)

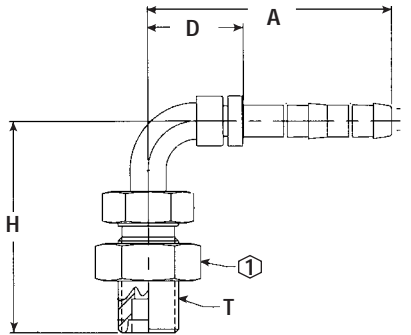
FJ3513



Straight Bulkhead

PART NUMBER	TH'D "T"	HOSE SIZE	A REF	D REF	F REF	H REF	Ⓛ REF
FJ3513-0606S	5/8-18	6	3.69	2.16	—	—	.94
FJ3513-0808S	3/4-16	8	3.93	2.39	—	—	1.0
FJ3513-1010S	7/8-14	10	4.49	2.94	—	—	1.13

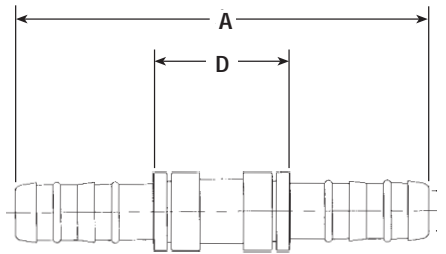
FJ3514



90° Male Bulkhead

PART NUMBER	TH'D "T"	HOSE SIZE	A REF	D REF	F REF	H REF	Ⓛ REF
FJ3514-0606S	5/8-18	6	2.50	.98	—	2.15	.94
FJ3514-0808S	3/4-16	8	2.74	1.20	—	2.61	1.0
FJ3514-1010S	7/8-14	10	3.08	1.53	—	3.26	1.13
FJ3514-1012S	7/8-14	12	3.11	1.53	—	3.26	1.13
FJ3514-1212S	1-1/16-14	12	3.69	2.11	—	3.78	1.38

FJ3045

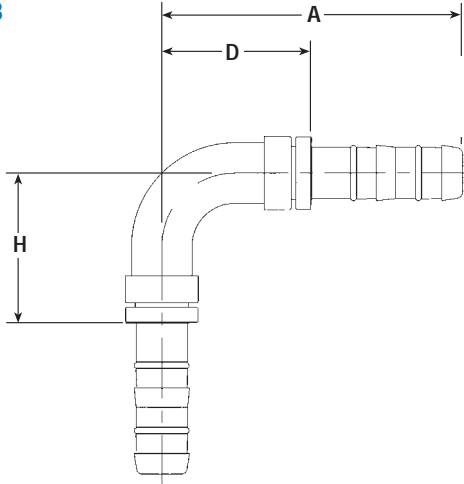


Straight Splicer

PART NUMBER	TH'D "T"	HOSE SIZE	A REF	D REF	F REF	H REF	Ⓛ REF
FJ3045-0606S	—	6	4.63	1.58	—	—	—
FJ3045-0808S	—	8	4.76	1.68	—	—	—
FJ3045-1010S	—	10	5.68	2.58	—	—	—
FJ3045-1212S	—	12	4.72	1.57	—	—	—
FJ3045-1008S	—	8	5.78	2.69	—	—	—
FJ3045-1616S	—	16	5.18	1.82	—	—	—

E-Z Clip System™ Fittings

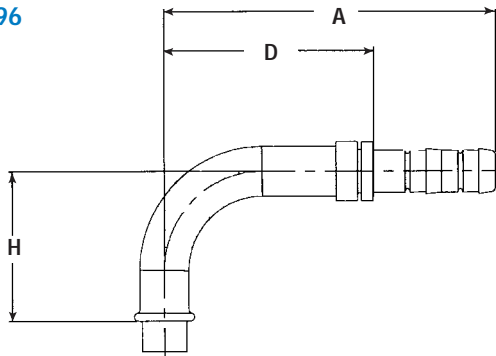
FJ3058



90° Splicer

PART NUMBER	TH'D "T"	HOSE SIZE	A REF	D REF	F REF	H REF	① REF
FJ3058-01-0606S	—	6	2.71	1.18	—	2.71	—
FJ3058-02-0808S	—	8	2.98	1.43	—	2.98	—
FJ3058-03-1010S	—	10	3.08	1.53	—	3.08	—
FJ3058-04-1212S	—	12	3.68	2.11	—	3.68	—
FJ3058-05-1010S	—	10	6.86	5.61	—	6.86	—
FJ3058-06-1212S	—	12	6.86	5.36	—	6.86	—

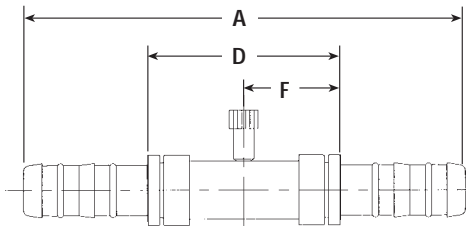
FJ3496



90° Pilot Connection (long pilot)

PART NUMBER	TH'D "T"	HOSE SIZE	A REF	D REF	F REF	H REF	① REF
FJ3496-01-1010S	—	10	4.22	2.67	—	1.89	—

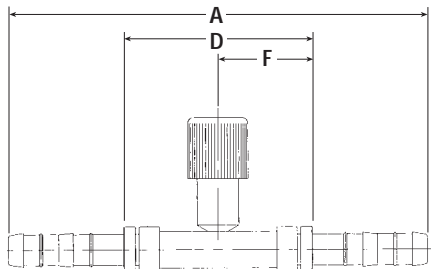
FJ3171



Splicer with Switch Port (7/16-20 thd)

PART NUMBER	TH'D "T"	HOSE SIZE	A REF	D REF	F REF	H REF	① REF
FJ3171-0606S	—	6	5.41	2.36	1.18	—	—
FJ3171-0808S	—	8	5.61	2.52	1.26	—	—
FJ3171-1010S	—	10	5.54	2.44	1.22	—	—
FJ3171-1212S	—	12	5.60	2.44	1.22	—	—
FJ3171-1616S	—	16	6.79	3.44	1.72	—	—

FJ5995

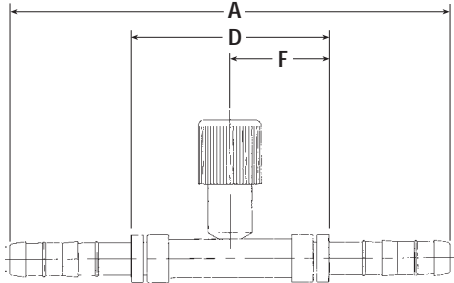


Splicer with High Side R134a Port

PART NUMBER	TH'D "T"	HOSE SIZE	A REF	D REF	F REF	H REF	① REF
FJ5995-0606S	—	6	5.41	2.36	1.18	—	—
FJ5995-0808S	—	8	5.61	2.52	1.26	—	—
FJ5995-1010S	—	10	5.62	2.52	1.26	—	—

E-Z Clip System™ Fittings

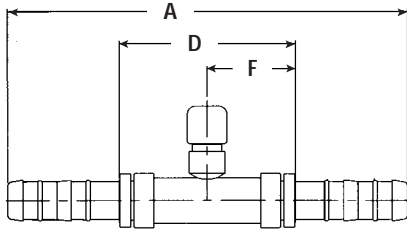
FJ5986



Splicer with R134a Low Side Port

PART NUMBER	TH'D "T"	HOSE SIZE	A REF	D REF	F REF	H REF	⊕ REF
FJ5986-1010S	—	10	5.54	2.44	1.22	—	—
FJ5986-1212S	—	12	5.60	2.44	1.22	—	—
FJ5986-1616S	—	16	6.79	3.44	1.72	—	—

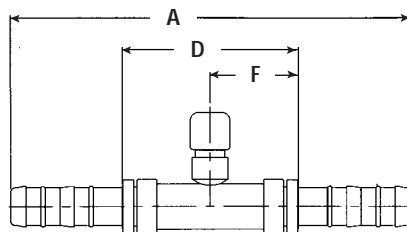
FJ3427



Splicer with High Side Switch Port (M10 X 1.25)

PART NUMBER	TH'D "T"	HOSE SIZE	A REF	D REF	F REF	H REF	⊕ REF
FJ3427-0808S	—	8	5.61	2.52	1.26	—	—
FJ3427-1010S	—	10	5.54	2.44	1.22	—	—

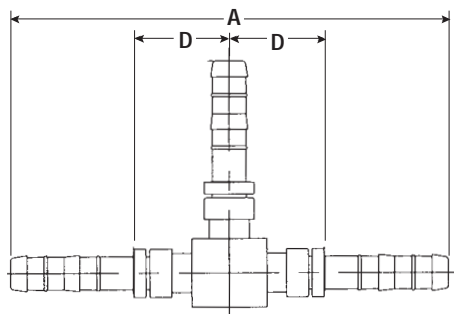
FJ3428



Splicer with Low Side Switch Port (M12 X 1.25)

PART NUMBER	TH'D "T"	HOSE SIZE	A REF	D REF	F REF	H REF	⊕ REF
FJ3428-1212S	—	12	5.59	2.44	1.22	—	—

FJ3066



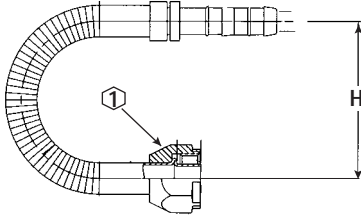
"T" Splicer - 3 Hose Connector

PART NUMBER	TH'D "T"	HOSE SIZE	A REF	D REF	F REF	H REF	⊕ REF
FJ3066-0808S	—	8	5.48	2.40	—	—	—
FJ3066-1010S	—	10	5.62	2.52	—	—	—
FJ3066-1212S	—	12	5.67	2.52	—	—	—
FJ3066-101212S	—	10x12x12	5.67	2.52	—	—	—
FJ3066-060808S	—	6 x 8 x 8	5.48	2.40	—	—	—
FJ3066-060606S*	—	6 x 6 x 6	5.48	2.40	—	—	—

*MTO (made to order)

E-Z Clip System™ Fittings

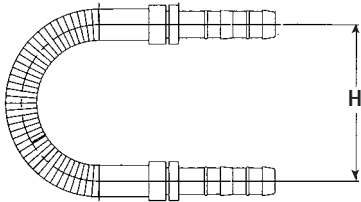
FJ3623



180° Female O-ring Pilot

PART NUMBER	TH'D "T"	HOSE SIZE	A REF	D REF	F REF	H REF	① REF
FJ3623-0808S	M20 x 1.5	8	—	—	—	2.50	.94

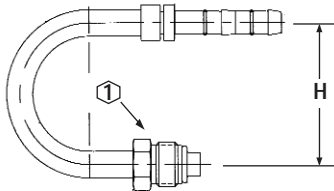
FJ3624



180° Splicer

PART NUMBER	TH'D "T"	HOSE SIZE	A REF	D REF	F REF	H REF	① REF
FJ3624-0808S	—	8	—	—	—	2.50	—

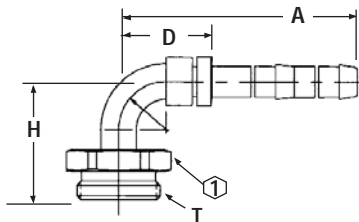
FJ3804



180° Male O-ring

PART NUMBER	TH'D "T"	HOSE SIZE	A REF	D REF	F REF	H REF	① REF
FJ3804-0606S	5/8-18	6	—	—	—	2.00	.625
FJ3804-1010S	7/8-18	10	—	—	—	3.00	.88

FJ3914

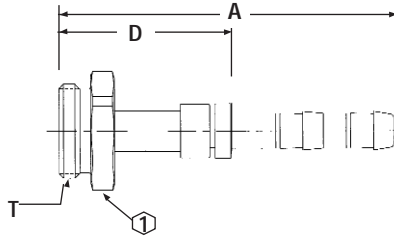


90° 5400 Coupling Thread

PART NUMBER	TH'D "T"	HOSE SIZE	A REF	D REF	F REF	H REF	① REF
FJ3914-03-1210S	1 1/4-18	10	3.08	1.53	—	1.23	1.375
FJ3914-03-0806S	7/8-20	6	2.50	0.98	—	1.23	1.00

E-Z Clip System™ Fittings

FJ3970



Straight 5400 Coupling Thread

PART NUMBER	TH'D "T"	HOSE SIZE	A REF	D REF	F REF	H REF	① REF
FJ3970-0606S	7/8 x 20	6	3.14	1.82	—	—	1.00

FJ3734

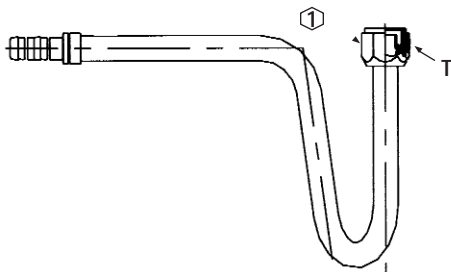


Female O-ring (Long Pilot) Compound Tube

PART NUMBER	TH'D "T"	HOSE SIZE	A REF	D REF	F REF	H REF	① REF
FJ3734-1212S*	1 1/16x 14	12	—	—	—	—	1.25

*MTO (made to order)

FJ3801

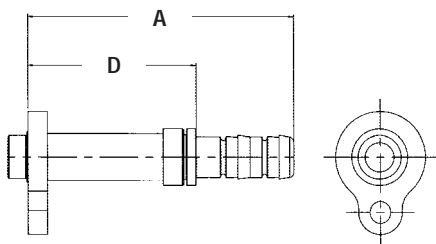


Female O-ring (Long Pilot) Compound Tube

PART NUMBER	TH'D "T"	HOSE SIZE	A REF	D REF	F REF	H REF	① REF
FJ3801-1212S*	1 1/16x 14	12	—	—	—	—	1.25

*MTO (made to order)

FJ3977

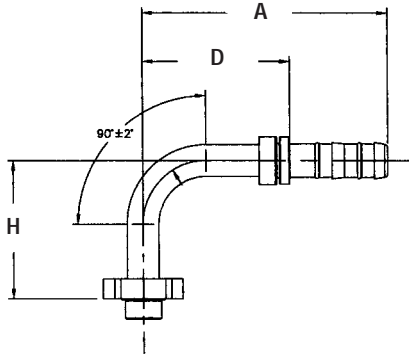


Pad Style Connection (Volvo)

PART NUMBER	TH'D "T"	HOSE SIZE	A REF	D REF	F REF	H REF	① REF
FJ3977-0806S	—	6	3.34	1.82	—	—	—
FJ3977-0810S	—	10	3.74	2.19	—	—	—
FJ3977-1012S	—	12	4.32	2.73	—	—	—

E-Z Clip System™ Fittings

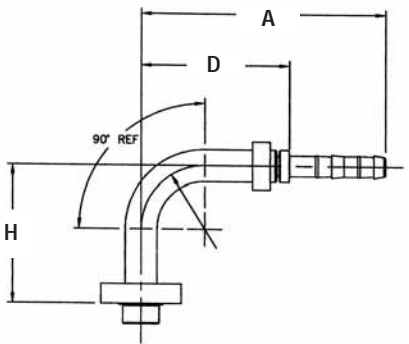
FJ3982



90° Pad Style Connection (Volvo)

PART NUMBER	TH'D "T"	HOSE SIZE	A REF	D REF	F REF	H REF	① REF
FJ3982-0806S	—	6	3.86	2.33	—	2.18	—
FJ3982-0810S	—	10	3.86	2.31	—	2.18	—

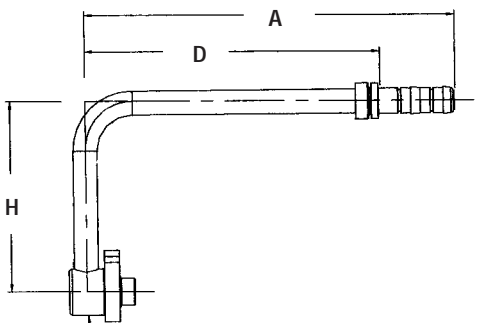
FJ3983



90° Pad Style Connection (Volvo) (Pad orientation 90°)

PART NUMBER	TH'D "T"	HOSE SIZE	A REF	D REF	F REF	H REF	① REF
FJ3983-0806S	—	6	3.86	2.33	—	2.18	—

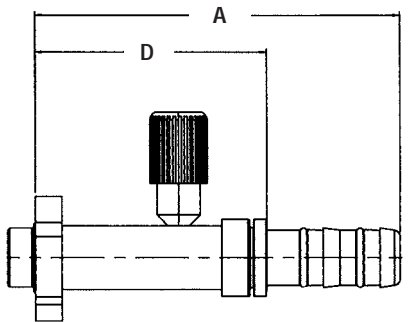
FJ3980



180° Pad Style Connection

PART NUMBER	TH'D "T"	HOSE SIZE	A REF	D REF	F REF	H REF	① REF
FJ3980-0810S	—	10	6.04	4.48	—	3.92	—

FJ3978

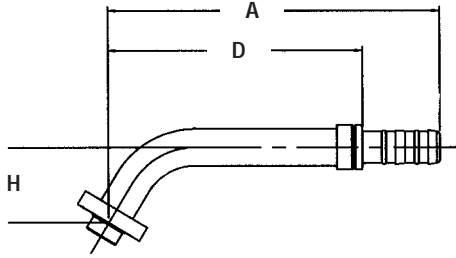


Straight Pad Style (Volvo) with R134a Low Side Port

PART NUMBER	TH'D "T"	HOSE SIZE	A REF	D REF	F REF	H REF	① REF
FJ3978-1012S	—	12	4.32	2.73	—	—	—

E-Z Clip System™ Fittings

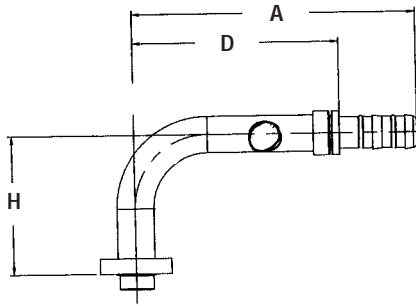
FJ3979



60° Elbow, Pad Style (Volvo) with R134a Low Side Port

PART NUMBER	TH'D "T"	HOSE SIZE	A REF	D REF	F REF	H REF	① REF
FJ3979-1012S	—	12	6.78	5.2	—	1.53	—

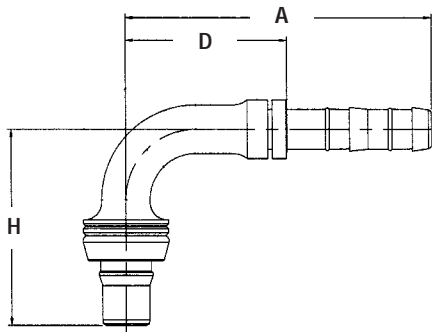
FJ3981



90° Elbow, Pad Style (Volvo) with R134a Low Side Port

PART NUMBER	TH'D "T"	HOSE SIZE	A REF	D REF	F REF	H REF	① REF
FJ3981-1012S	—	12	5.9	4.32	—	2.84	—

IF20340



90° to STC

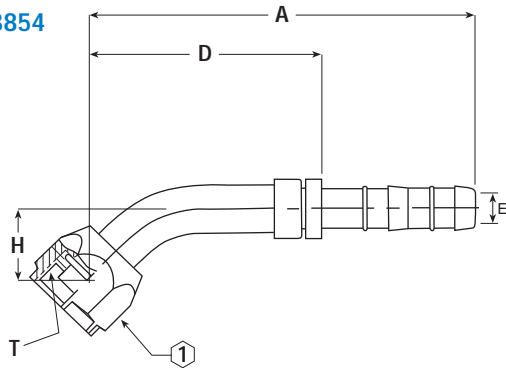
PART NUMBER	TH'D "T"	HOSE SIZE	A REF	D REF	F REF	H REF	① REF
1F20340-0808-S	—	8	3.03	1.49	—	2.09	—

E-Z Clip System

Fittings

Special Order

GA23854

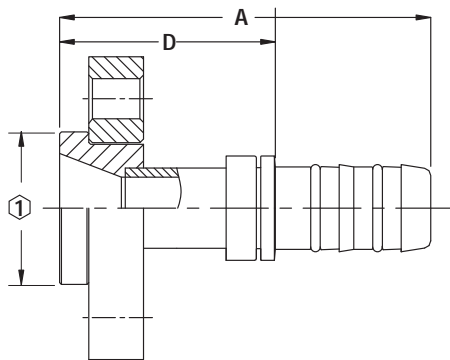


45° Female O-ring (long pilot)

PART NUMBER	TH'D " T"	HOSE SIZE	A REF	D REF	F REF	H REF	① REF
GA23854-12-16*	1 1/16-14	16	5.125	3.175	—	1.39	32mm

*MTO (made to order)

GA24335

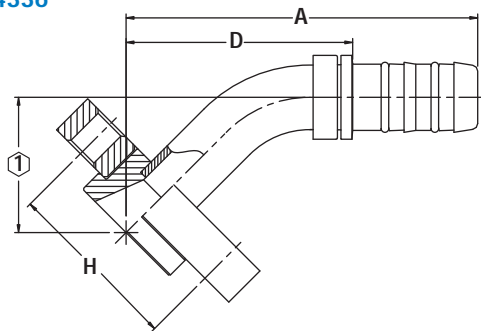


Straight Bock Compressor Fitting

PART NUMBER	TH'D " T"	HOSE SIZE	A REF	D REF	F REF	H REF	① REF
GA24335-22-16	—	16	4.01	2.33	—	—	1.65

*MTO (made to order)

GA24336

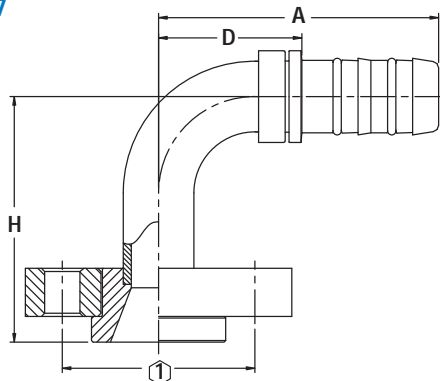


45° Bock Compressor Fitting

PART NUMBER	TH'D " T"	HOSE SIZE	A REF	D REF	F REF	H REF	① REF
GA24336-22-16	—	16	4.72	3.04	—	1.81	1.65

*MTO (made to order)

GA24337



90° Bock Compressor Fitting

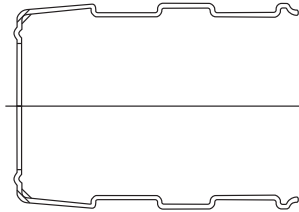
PART NUMBER	TH'D " T"	HOSE SIZE	A REF	D REF	F REF	H REF	① REF
GA24337-22-16	—	16	3.44	1.76	—	3.01	1.65

*MTO (made to order)

E-Z Clip System™

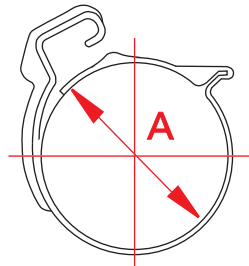
Cages, Clips and Lifesavers

Cages / Fitting to Hose Attachment



PART NUMBER	CAGE SIZE	HOSE DESCRIPTION
1F40105-04C	-04	Cages for size -04 hose
1F40105-06C	-06	Cages for size -06 hose
1F40105-08C	-08	Cages for size -08 hose
1F40105-10C	-10	Cages for size -10 hose
1F40105-12C	-12	Cages for size -12 hose
1F40105-16C	-16	Cages for size -16 hose

Clips Hose / Cage Connection

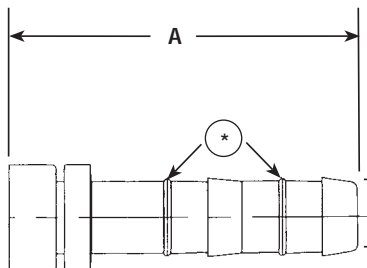


PART NUMBER	A REF	DESCRIPTION
1F40104-04C	14.0 mm	Clips for size -04 hose
1F40104-06C	18.0 mm	Clips for size -06 hose
1F40104-08C	20.5 mm	Clips for size -08 hose
1F40104-10C	23.0 mm	Clips for size -10 hose
1F40104-12C	27.5 mm	Clips for size -12 hose
1F40104-16C	33.0 mm	Clips for size -16 hose

Clip and Cage Kits

KIT PART NUMBER	HOSE SIZE	NUMBER OF CLIPS PER KIT	NUMBER OF CAGES PER KIT
FF14175	4	1	1
FF14171	6	2	1
FF14172	8	2	1
FF14173	10	2	1
FF14174	12	2	1
FF14401	16	2	1
FF13819	6	4	2
FF13820	8	4	2
FF13821	10	4	2
FF13822	12	4	2
FF14402	16	4	2

Lifesaver Braze Nipple



PART NUMBER	TH'D "T"	HOSE SIZE	A REF
FF12262-0606	—	6	2.01
FF12262-0608	—	8	2.02
FF12262-0808	—	8	2.02
FF12262-0810	—	10	2.03
FF12262-1010	—	10	2.03
FF12262-1012	—	12	2.06
FF12262-1212	—	12	2.11
FF12262-1616	—	16	2.21

*O-rings packaged separately

E-Z Clip System™

Aluminum LifeSaver

A/C Hose Repair System

The Aluminum Lifesaver braze fitting is designed to rework failed OEM aluminum air conditioning tubing and hose assemblies in sizes 10mm to 18mm (metric tubing only, -6 to -12). This repair system allows the installer to reuse unique OEM terminal connections, while replacing the failed OEM hose and nipple with the E-Z Clip attachment system.

NOTE: The E-Z Clip system can only be used with Aeroquip GH134 hose.



E-Z to use

Each kit contains the correct components for replacement of a single hose assembly.

Aeroquip GH134 hose must be ordered or purchased separately.

Determine tube O.D. for Hose I.D. per chart below:

STANDARD CONFIGURATIONS

Size *	Tube O.D. mm (in)	Hose I.D. mm (in)	Hose Part Number	Use Lifesaver Kit Part Number
-6	10 (.39)	8 (.32)	GH134-6	FF13727-1006
-8	12 (.47)	11 (.42)	GH134-8	FF13727-1208
-10	16 (.63)	13 (.51)	GH134-10	FF13727-1610
-12	18 (.71)	16 (.64)	GH134-12	FF13727-1812

*This (-) size label will be referenced throughout the instructions

E-Z Clip Aluminum

Lifesaver Kits – Part number ordering Guide:

ORDER KIT NO.		KIT COMPONENT	DESCRIPTION	QTY
FF13727	-size	GW1172-size	Braze-on nipple	2
		1F40106-size	Nipple O-ring	5
		GA7000579-size	Silver Braze Ring	3
			Assembly Instructions	1

E-Z Clip System™

E-Z Clip Size 4**

Refrigeration/air conditioning SAE J2064 Type E Class 1, Multi-refrigerant



#							
PART NUMBER	HOSE I.D.	HOSE O.D.	MAXIMUM OPERATING PRESSURE	MINIMUM BURST PRESSURE	MINIMUM BEND RADIUS	VACUUM *SERVICE*	WEIGHT PER FOOT
	mm/inches	mm/inches	bar/psi	bar/psi	mm/inches	in/Hg	Kg/lbs
FC505-04	5.08/.20	11.2/.44	35/500	175/2,500	38.0/1.50	29.5	0.03/0.07

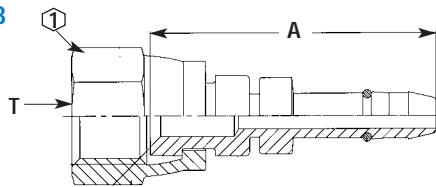
Construction: Nylon veneer tube, stabilized synthetic braided reinforcement and chlorobutyl rubber cover.

Application: Transportation refrigeration and air conditioning systems using R-134a, R-12, R-22 or R-502 (contact Eaton for additional refrigerants).

Operating Temperature Range: -40°F to +275°F (-40°C to +135°C).

*All sizes will withstand full negative pressure for charging purposes.

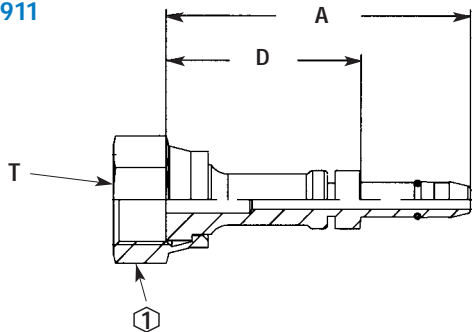
GA24048



Straight Female SAE Flare

PART NUMBER	TH'D "T"	HOSE SIZE	A REF	D REF	F REF	H REF	① REF
GA24048-4-4	7/16	4	1.34	—	—	—	14mm

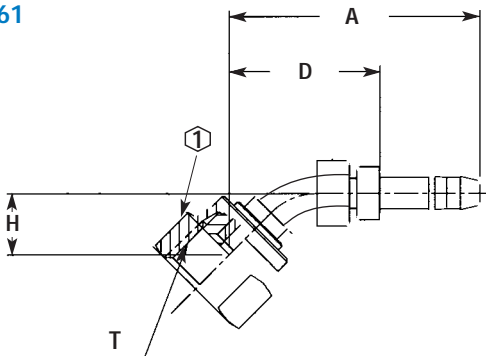
GA23911



Straight Female ORS

PART NUMBER	TH'D "T"	HOSE SIZE	A REF	D REF	F REF	H REF	① REF
GA23911-4-4	9/16-18	4	1.86	1.19	—	—	17mm

FJ3161



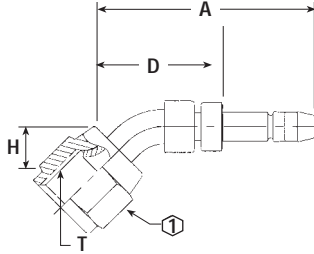
45° Female ORS

PART NUMBER	TH'D "T"	HOSE SIZE	A REF	D REF	F REF	H REF	① REF
FJ3161-05-0404S	9/16-18	4	1.68	1.01	—	.41	.69

E-Z Clip System™

E-Z Clip Size 4**

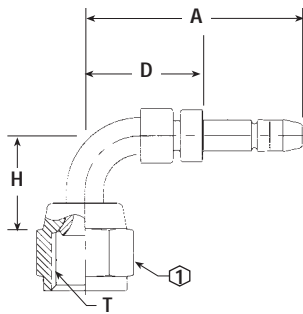
FJ3059



45° Universal Swivel (SAE 37° or 45°)

PART NUMBER	TH'D "T"	HOSE SIZE	A REF	D REF	F REF	H REF	① REF
FJ3059-0404S	7/16-20	4	1.57	0.91	—	0.33	0.56

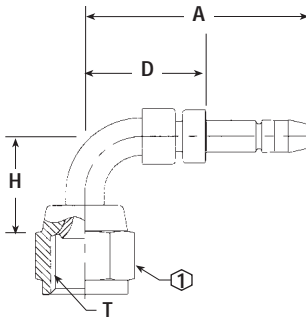
FJ3149



90° Universal Swivel (SAE 37° or 45°)

PART NUMBER	TH'D "T"	HOSE SIZE	A REF	D REF	F REF	H REF	① REF
FJ3149-0404S	7/16-20	4	2.47	0.8	—	0.68	0.56

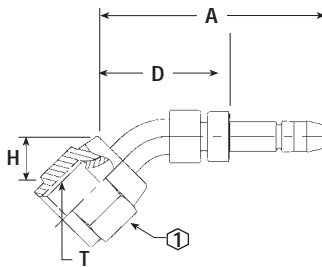
EJ3533



90° Female JIC 37° Flare

PART NUMBER	TH'D "T"	HOSE SIZE	A REF	D REF	F REF	H REF	① REF
EJ3533-01-0404S	7/16-20	4	2.09	1.42	—	1.21	0.56

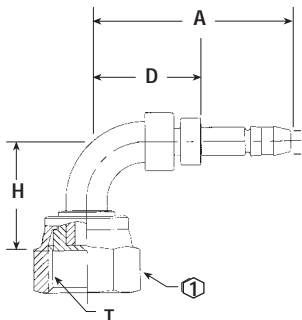
EJ3544



45° Female JIC 37° Flare

PART NUMBER	TH'D "T"	HOSE SIZE	A REF	D REF	F REF	H REF	① REF
EJ3544-0404S	7/16-20	4	2.37	1.70	—	0.63	0.56

GA23913



90° ORS Swivel

PART NUMBER	TH'D "T"	HOSE SIZE	A REF	D REF	F REF	H REF	① REF
GA23913-4-4	9/16-18	4	1.79	1.12	—	0.82	17mm

**FC505 is qualified for the EZ Clip System in size 4 only.

E-Z Clip System™

Assembly Tools

Pliers / Connecting Tool



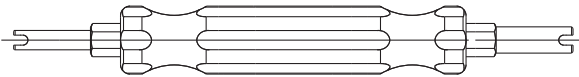
PART NUMBER	DESCRIPTION
FT1357	Connecting Tool
FT1421 (replaces FT1417)	Connecting Tool for #16

Hose Cutter



PART NUMBER	DESCRIPTION
FT1356	Hose Cutter
FT1356-2-1	Replacement Blade

Core Tool



PART NUMBER	DESCRIPTION
FT1406	Core Tool
FF90192-02	High Side Core*
FF90192-01	Low Side Core*
FF90193-02	High Side Cap
FF90193-01	Low Side Cap
FF9872-04	Cap for 7/16-20 Thd. port

*For Aeroquip high flow charge ports only.



FF90192-02



FF90192-01



FF90193-02, FF90193-01



FF9872-04

E-Z Clip Components

Ordering & Identifying



The E-Z Clip System is designed for assembly with Aeroquip GH134 multi-refrigerant hose. Its engineered connection exceeds SAE J2064 and has been vibration and impulse tested.

The benefits of E-Z Clip are virtually endless:

- No guess work
- No leaking crimps
- No power supply needed
- As easy to use as a pair of pliers
- Easy to use in confined areas

Assembly Materials Checklist

- Pliers (FT1357)
- Guillotine blade (FT1356) or equivalent cutting tool
- Refrigerant oil compatible with refrigeration or A/C system
- GH134 Multi-Refrigerant hose
- Nipple assembly*
- Appropriately sized clips and cage

*NOTE:

The two black O-rings on the nipple assembly are of a specific rubber compound and size. They should NOT be removed or replaced.



E-Z Clip System Components Are Simple to Identify, Order and Use

ORDERING INFORMATION

Hose	Nipple	Cage	Clips
GH134-6	FJ__-__06S	1F40105-06C	1F40104-06C
GH134-8	FJ__-__08S	1F40105-08C	1F40104-08C
GH134-10	FJ__-__10S	1F40105-10C	1F40104-10C
GH134-12	FJ__-__12S	1F40105-12C	1F40104-12C
GH134-16	FJ__-__16S	1F40105-16C	1F40104-16C

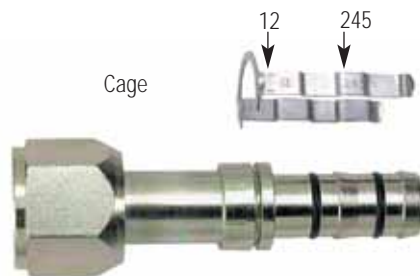
IDENTIFICATION GUIDE

Hose	Cage	Clips	Nipple O-Ring (HNBR)
GH134-6	-6 and 150	150	1F40106-06
GH134-8	-8 and 175	175	1F40106-08
GH134-10	-10 and 200	200	1F40106-10
GH134-12	-12 and 245	245	1F40106-12
GH134-16	-16 and 285	285	1F40106-16

For Example...



Hose



Cage

Cage Groove



Clips

E-Z Clip System™

Assembly Instructions

Step 1. Cut the Hose

Cut the hose to proper length with an appropriate cutting tool. Aeroquip's hand-held hose cutter (FT1356) has been specially designed for cutting all non-wire reinforced hose, such as GH134 Multi-Refrigerant hose. Be sure the cut is made square to the hose length.



Step 2. Slip on Two Clips

Install two proper-sized clips onto the cut end of the hose. Orientation of the clips does not affect the performance of the connection. However, for ease of assembly, both clips should have the same orientation.

NOTE: Failure to slide the clips over the hose at this time will require the clips to be stretched over the hose or fitting later. This may permanently damage the clip.



Step 3. Oil the Nipple

Lubricate the nipple with a generous amount of the refrigeration or A/C system's compressor lubricating oil. This MUST be done to lower the force of nipple insertion.



Step 4. Insert the Nipple into the Hose

Insert the nipple into the hose. To ensure that the nipple is fully inserted, check the gap between the cut end of the hose and the shoulder on the nipple. Care should be taken to avoid kinking or other damage to the hose during nipple insertion.

NOTE: Be sure to wipe excess oil from the nipple and hose.



Step 5. Snap on the Cage

Snap the cage into the groove on the nipple. The arms should extend over the hose length. When the cage has been correctly installed in the cage groove, the cage will be able to rotate in the groove. This step MUST be performed to ensure:

1. The clips will be located over the O-rings on the nipple.
2. The connection will be compatible with the connection's pressure rating.



E-Z Clip System™

Assembly Instructions (cont.)

Step 6: Slide the Clips

Slide the clips over the cage arms and into the channels on each arm.

Step 7: Close the Clips

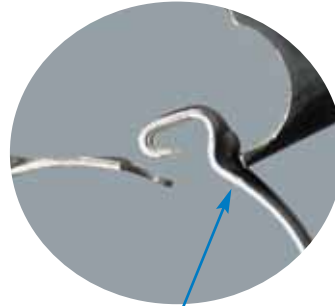
Use the FT1357 pliers to close the clips. The pliers should be positioned squarely on the clip connection points and should remain square during the closing of the clip.

Nose of the pliers should be firmly seated under the assembly bump and lock latch.

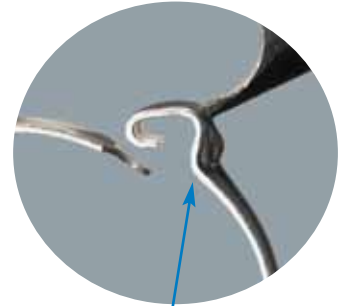
If the pliers are not kept square during closing of the clip, the clasp may have an offset. Use the pliers to correct the clasp alignment.



For easiest assembly, the clasp should be closed between the cage arms.



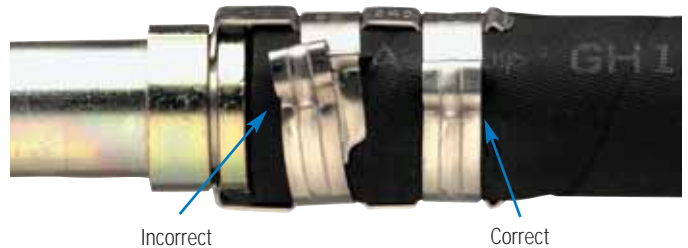
Correct



Incorrect

Notice

E-Z Clip components should not be reused. For recommendations on cleaning and routing hose assemblies, please consult Aeroquip Assembly Bulletin JA776.



Incorrect

Correct



CAUTION: Failure to follow these assembly instructions and/or the use of Aeroquip hose with fittings supplied by other manufacturers may result in unreliable and unsafe hose assemblies, which may result in sudden or unintended escape of refrigerant gases. Personal injury and/or violations of EPA regulations may occur as a consequence. Aeroquip recommends adherence to all guidelines, including EPA guidelines, concerning the service of refrigerant systems.

E-Z Clip System™

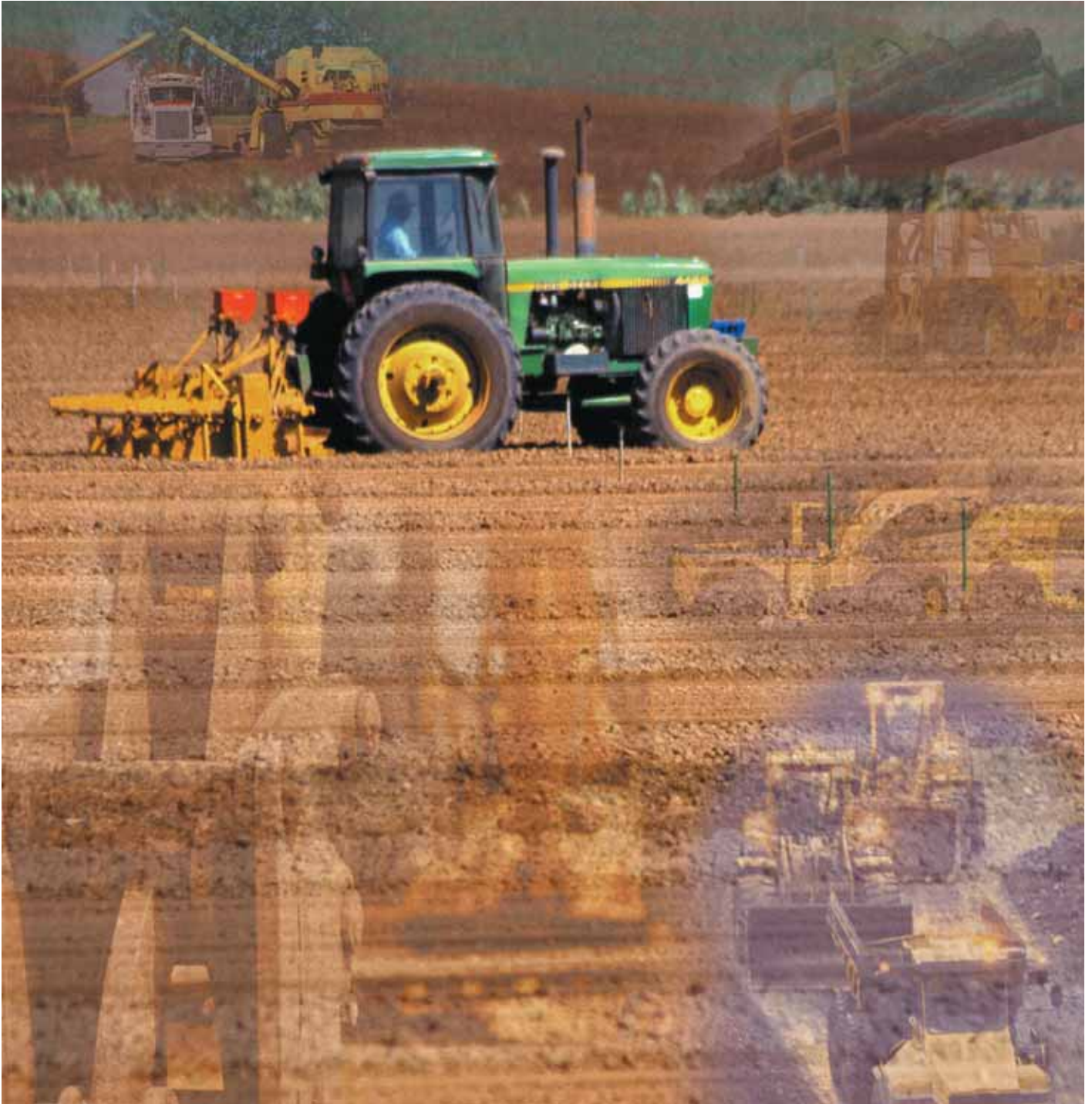
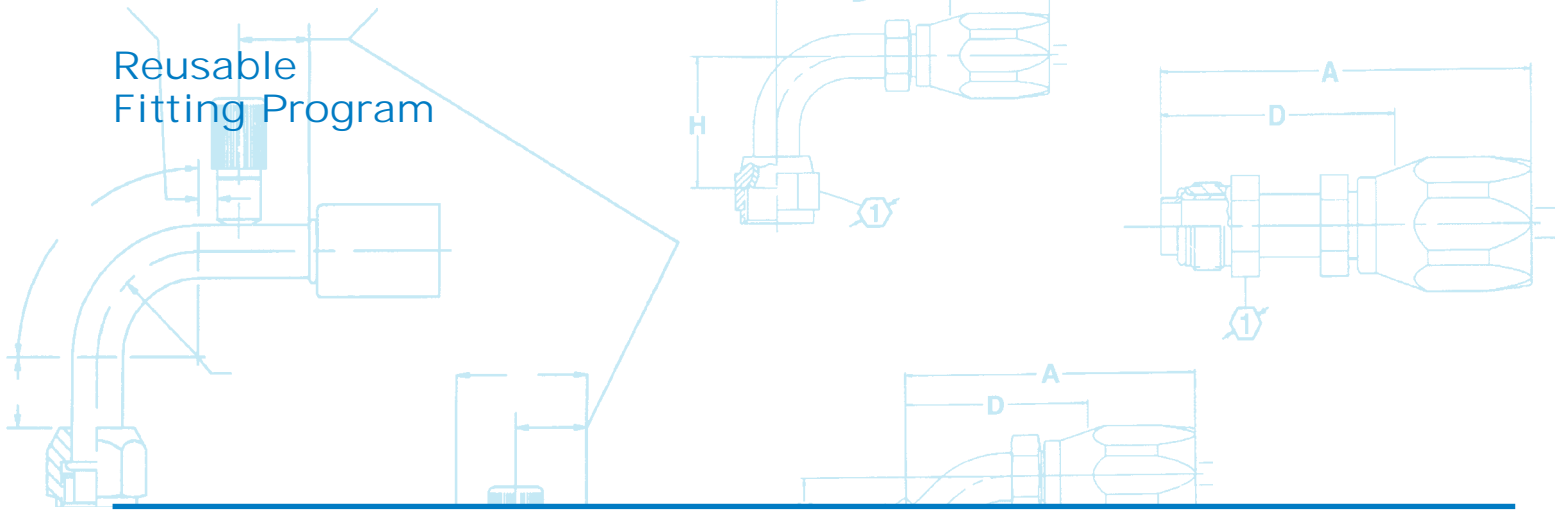
Fitting Kits

NEW! Our most popular E-Z Clip Fittings are available, pre-packed, with the needed clips and cages for installation, in a single package.

E-Z CLIP KIT PART #	E-Z CLIP FITTING #	QTY PER KIT	E-Z CLIP, CAGE & CLIP KIT	QTY PER KIT
FF14176	FJ5984-0606S	1	FF14171	1
FF14177	FJ5984-0608S	1	FF14172	1
FF14178	FJ5984-0808S	1	FF14172	1
FF14179	FJ5984-0810S	1	FF14173	1
FF14180	FJ5984-1010S	1	FF14173	1
FF14181	FJ5984-1012S	1	FF14174	1
FF14182	FJ5984-1212S	1	FF14174	1
FF14183	FJ3055-01-0606S	1	FF14171	1
FF14184	FJ3055-03-0808S	1	FF14172	1
FF14185	FJ3055-05-1010S	1	FF14173	1
FF14186	FJ3055-07-1212S	1	FF14174	1
FF14187	FJ5985-0606S	1	FF14171	1
FF14188	FJ5985-0608S	1	FF14172	1
FF14189	FJ5985-0808S	1	FF14172	1
FF14190	FJ5985-0810S	1	FF14173	1
FF14191	FJ5985-1010S	1	FF14173	1
FF14192	FJ5985-1012S	1	FF14174	1
FF14193	FJ5985-1212S	1	FF14174	1
FF14194	FJ3012-02-1010S	1	FF14173	1
FF14195	FJ3012-01-1012S	1	FF14174	1
FF14196	FJ3012-03-1212S	1	FF14174	1
FF14197	FJ3052-0606S	1	FF14171	1
FF14198	FJ3052-0608S	1	FF14172	1
FF14199	FJ3052-0808S	1	FF14172	1
FF14200	FJ3052-1010S	1	FF14173	1
FF14201	FJ3052-1012S	1	FF14174	1
FF14202	FJ3052-1212S	1	FF14174	1
FF14203	FJ3019-03-0606S	1	FF14171	1
FF14204	FJ3019-02-0608S	1	FF14172	1
FF14205	FJ3019-04-0808S	1	FF14172	1
FF14206	FJ3019-06-0810S	1	FF14173	1
FF14207	FJ3019-01-1012S	1	FF14174	1
FF14208	FJ3019-05-1212S	1	FF14174	1
FF14209	FJ3019-07-1010S	1	FF14173	1
FF14210	FF12262-0606	1	FF14171	1
FF14211	FF12262-0808	1	FF14172	1
FF14212	FF12262-1010	1	FF14173	1
FF14213	FF12262-1012	1	FF14174	1
FF14214	FJ3116-03-0808S	1	FF14172	1
FF14215	FJ3116-01-0606S	1	FF14171	1
FF14216	FJ3116-02-1010S	1	FF14173	1
FF14217	FJ3513-0606S	1	FF14171	1
FF14218	FJ3513-0808S	1	FF14172	1
FF14219	FJ3513-1010S	1	FF14173	1
FF14220	FJ3514-0606S	1	FF14171	1
FF14221	FJ3514-0808S	1	FF14172	1
FF14222	FJ3514-1010S	1	FF14173	1
FF14223	FJ3514-1012S	1	FF14174	1
FF14224	FJ3054-1010S	1	FF14173	1
FF14225	FJ3054-1012S	1	FF14174	1
FF14226	FJ3053-0808S	1	FF14172	1
FF14227	FJ3289-03-0606S	1	FF14171	1
FF14228	FJ3289-01-0808S	1	FF14172	1
FF14229	FJ3289-05-1012S	1	FF14174	1
FF14230	FJ3171-0606S	1	FF13819	1
FF14231	FJ3171-0808S	1	FF13820	1
FF14232	FJ3171-1010S	1	FF13821	1

E-Z CLIP KIT PART #	E-Z CLIP FITTING #	QTY PER KIT	E-Z CLIP, CAGE & CLIP KIT	QTY PER KIT
FF14233	FJ3171-1212S	1	FF13822	1
FF14234	FJ3132-02-1012S	1	FF14174	1
FF14235	FJ3131-02-0808S	1	FF14172	1
FF14236	FJ3134-02-0808S	1	FF14172	1
FF14237	FJ3135-02-1012S	1	FF14174	1
FF14238	FJ3058-01-0606S	1	FF14171	1
FF14239	FJ3058-02-0808S	1	FF14172	1
FF14240	FJ3058-03-1010S	1	FF14173	1
FF14241	FJ3057-01-0606S	1	FF14171	1
FF14242	FJ3057-03-0808S	1	FF14172	1
FF14243	FJ3057-05-1010S	1	FF14173	1
FF14244	FJ3057-07-1212S	1	FF14174	1
FF14245	FJ5994-01-0606S	1	FF14171	1
FF14246	FJ5994-02-0808S	1	FF14172	1
FF14247	FJ5994-04-1010S	1	FF14173	1
FF14248	FJ5994-03-1212S	1	FF14174	1
FF14249	FJ5994-05-1012S	1	FF14174	1
FF14250	FJ3045-0606S	1	FF14171	1
FF14251	FJ3045-0808S	1	FF14172	1
FF14252	FJ3045-1010S	1	FF14173	1
FF14253	FJ3045-1212S	1	FF14174	1
FF14254	FJ3058-04-1212S	1	FF14174	1
FF14255	FJ5986-1010S	1	FF13821	1
FF14256	FJ5986-1212S	1	FF13822	1
FF14257	FJ5995-0606S	1	FF13819	1
FF14258	FJ5995-0808S	1	FF13820	1
FF14259	FJ5995-1010S	1	FF13821	1
FF14260	FJ3013-02-0606S	1	FF14171	1
FF14261	FJ3013-03-0808S	1	FF14172	1
FF14262	FJ3013-01-0810S	1	FF14173	1
FF14263	FJ3977-0806S	1	FF14171	1
FF14264	FJ3977-0810S	1	FF14173	1
FF14265	FJ3977-1012S	1	FF14174	1
FF14266	FJ3978-1012S	1	FF14174	1
FF14267	FJ3979-1012S	1	FF14174	1
FF14268	FJ3980-0810S	1	FF14173	1
FF14269	FJ3981-1012S	1	FF14174	1
FF14270	FJ3982-0806S	1	FF14171	1
FF14271	FJ3982-0810S	1	FF14173	1
FF14272	FJ3983-0806S	1	FF14171	1
FF14369	EJ3320-1008S	1	FF14172	1
FF14370	EJ3320-1012S	1	FF14174	1
FF14371	EJ3321-1008S	1	FF14172	1
FF14372	EJ3321-1012S	1	FF14174	1
FF14373	FJ3225-1008S	1	FF14172	1
FF14374	FJ3225-1012S	1	FF14174	1
FF14375	FJ3225-1010S	1	FF14173	1
FF14376	FJ3274-1010S	1	FF14173	1
FF14377	FJ3510-1012S	1	FF14174	1
FF14378	FJ3511-1010S	1	FF14173	1
FF14379	FJ3226-1010S	1	FF14173	1
FF14380	FJ5984-1210S	1	FF14173	1
FF14381	FJ3289-02-1010S	1	FF14173	1
FF14382	FJ3149-01-0606S	1	FF14171	1
FF14383	FJ3149-03-0808S	1	FF14172	1
FF14384	FJ3149-04-1010S	1	FF14173	1

Reusable Fitting Program



Reusable Fitting Program

Hose Selection Guide and Design Guidelines

For information regarding other refrigerants and lubricants, please contact Eaton, 952-937-9800.

REFRIGERANT COMPATIBILITY CHART

Refrigerant	Hose Style			
	FC802	FC505	FC558	GH134
R-12	Y	Y	N	Y
R-22	Y	Y	N	Y
R-134a	Y	Y	Y	Y

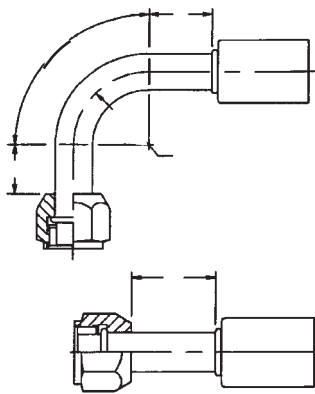
LUBRICANT COMPATIBILITY CHART

Lubricant	Hose Style			
	FC802	FC505	FC558	GH134
Mineral Oil	Y	Y	N	Y
PAG	Y	Y	Y	Y
Ester Oil	Y	Y	Y	Y
Alkylbenzene	Y	Y	N	Y

Y = Compatible

N = Non-compatible

Consult Eaton on fittings with more than one bend.



TUBE SIZE	L. MINIMUM	Tubing			TANGENT LENGTH	TOLERANCE
		SIZE	STYLE	WALL THICKNESS		
-6	1.1	-6	SAE J526	0.04	$0 > 12 \leq$	± 0.031
-8	1.62	-8	SAE J526	0.04	$12 \leq > 36 \leq$	± 0.047
-10	1.62	-10	SAE J525	0.05	$36 \leq > 72 \leq$	± 0.062
-1012	1.62	-1012	SAE J525	0.05	$72 \leq >$	± 0.125
-12	1.38	-12	SAE J525	0.049		

$$L = A+B+C$$

$$A = .500 \text{ Minimum}$$

$$B = .250 \text{ Minimum}$$

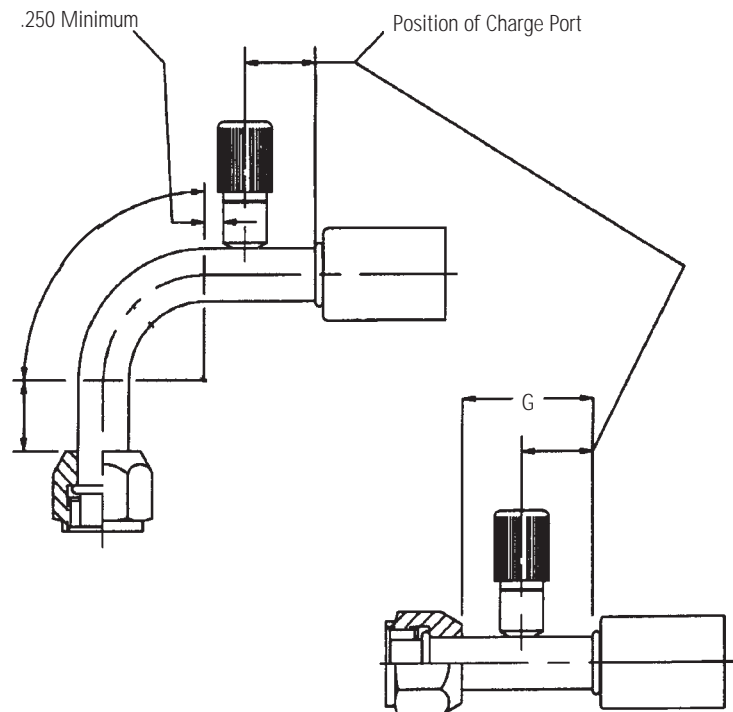
$$C = .01745 \times R. \times \text{Bend Angle}$$

$$R = 2 \times \text{O.D. of Tube Minimum}$$

$$\text{Bend Angle Tolerance } \pm .30^\circ$$

$$\text{Rotation Angle Tolerance } \pm 1^\circ$$

$$\text{All Dimensions Are In Inches}$$



POSITION OF CHARGE PORT

High Side .940 Minimum

Low Side .881 Minimum

DASH SIZE G

-6 1.54 Minimum

-8 1.63 Minimum

-10 High Side 1.69 Minimum

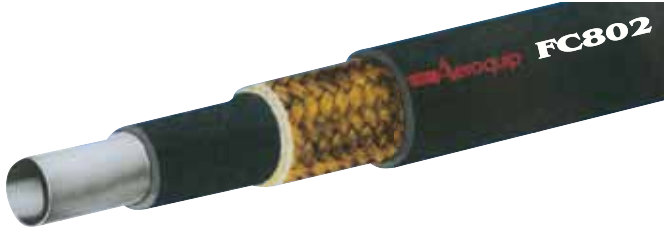
-10 Low Side 1.62 Minimum

-1012 1.62 Minimum

-12 1.70 Minimum

Reusable Fitting Program

FC802/FC558



Maximum Operating Pressure (bar/psi)

- 35/500

Minimum Burst Pressure (bar/psi)

- 175/2500

Temperature Range

- -40°F to +250°F (-40°C to +121°C)

HFC 134a Effusion

- .25 lbs./ft²/yr. at 176°F (1.21 kg/m²/yr. at 80°C)

Moisture Ingression

- .08 gm./in.²/yr. (.013/cm²/yr.)

Fittings

- SAE 100R5

R-12 Effusion

- 1.25 lbs./ft²/yr. at 176°F (6.07 kg/m²/yr. at 80°C)

R-401B Effusion

- 2.86 lbs./ft²/yr. at 176°F (13.88 kg/m²/yr. at 80°C)

R-22 Effusion

- 18.04 lbs./ft²/yr. at 176°F (87.55 kg/m²/yr. at 80°C)


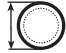

Features

- Bromobutyl cover
- Polyamide-veneer tube
- Synthetic braid reinforcement
- Synthetic rubber backing layer
- SAE 100R5 reusable fittings

Benefits

- Excellent flexibility and heat resistance
- Maximum effusion resistance
- Superior resistance to moisture ingress
- Excellent noise and kink resistance
- Field attachable fittings
- Ease of installation and routing

Specifications and Performance (SAE J51 Type D)

#			
PART NUMBER	HOSE I.D.	HOSE O.D.	MINIMUM BEND RADIUS
	mm/inches	mm/inches	mm/inches
FC802-04	5.1/20	13.2/52	50.8/2.0
FC802-06	8.38/33	17.3/68	63.5/2.5
FC802-08	10.67/42	19.6/77	76.2/3.0
FC802-10	13.2/52	23.4/92	88.9/3.5
FC802-12	16.51/65	27.4/108	114.3/4.5



Abrasion Resistant Polyester Braid Cover Synthetic Rubber Insulation Layer High Tensile Carbon Steel Butyl Rubber Tube

Features

- Butyl rubber tube
- High tensile steel wire reinforcement
- Synthetic rubber insulation layer
- Polyester braid cover
- SAE 100R5 reusable fittings

Benefits

- Excellent effusion resistance
- Extended service life
- Maximum resistance to moisture ingress
- Superior abrasion resistance
- Field attachable fittings

Maximum Operating Pressure (bar/psi)

- 35/500

Minimum Burst Pressure (bar/psi)

- 175/2500

Temperature Range

- -40°F to +250°F (-40°C to +121°C)

R-134a Effusion

- 5.5 lbs./ft²/yr. at 176°F




Moisture Ingression

- .08 gm./in.²/yr.

Fittings

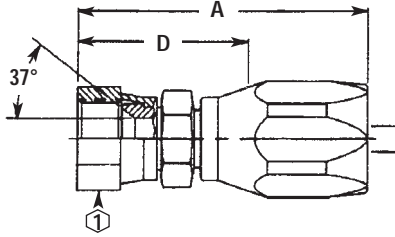
- Standard Aeroquip SAE 100R5 reusable fittings

Specifications and Performance (Meets or Exceeds SAE J2064 Type B; for R-134A Refrigerant Only)

#			
PART NUMBER	HOSE I.D.	HOSE O.D.	MINIMUM BEND RADIUS
	mm/inches	mm/inches	mm/inches
FC558-10	12.7/50	23.4/92	139/5.50
FC558-12	15.9/62	26.9/106	165/6.50
FC558-16	22.2/88	31.5/124	187/7.38
FC558-20	28.6/1.12	38.4/1.51	229/9.00
FC558-24	34.9/1.38	44.5/1.75	267/10.50

Reusable
Fitting Program
FC802/FC558

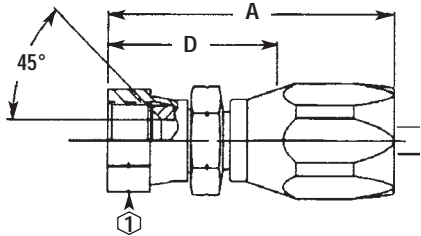
4411



S.A.E. 37° (J.I.C.) swivel

PART NUMBER	TH'D "T"	HOSE SIZE	A REF	D REF	F REF	H REF	① REF
4411-4S	7/16-20	4	1.97	1.23	—	—	0.69
4411-6S	9/16-18	6	2.33	1.43	—	—	0.69
4411-8S	3/4-16	8	2.78	1.62	—	—	0.88
4411-10S	7/8-14	10	3.10	1.81	—	—	1.00
4411-10-12S	7/8-14	12	3.40	1.83	—	—	1.00
4411-12S	1-1/16-12	12	3.49	1.92	—	—	1.25
4411-16S	1-5/16-12	16	3.19	1.93	—	—	1.50
4411-20S	1-5/8-12	20	3.43	2.07	—	—	2.00
4411-24S	1-7/8-12	24	3.68	2.22	—	—	2.25

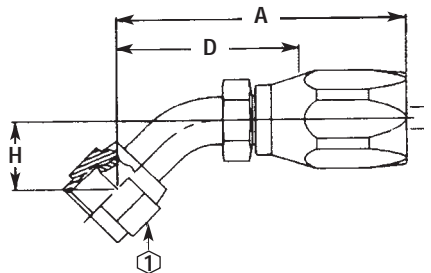
4401



S.A.E. 45° swivel

PART NUMBER	TH'D "T"	HOSE SIZE	A SIZE	D REF	F REF	H REF	① RE
4401-4S	7/16-20	4	1.97	1.22	—	—	0.56
4401-6S	5/8-18	6	2.36	1.46	—	—	0.75
4401-8S	3/4-16	8	2.78	1.62	—	—	0.88
4401-10S	7/8-14	10	3.10	1.81	—	—	1.00
4401-12S	1-1/16-14	12	3.49	1.92	—	—	1.25

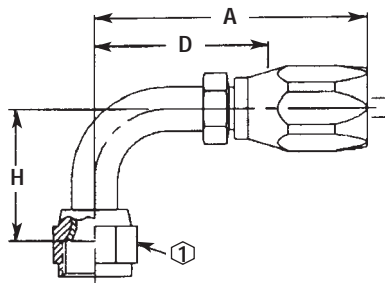
190297
190299
190265



**45° Elbow 190297 universal swivel, 190299 S.A.E. 45° swivel
190265 S.A.E. 37° swivel**

PART NUMBER	TH'D "T"	HOSE SIZE	A REF	D REF	F REF	H REF	① REF
190297-4S	7/16-20	4	1.85	1.10	—	0.33	0.56
190297-8S	3/4-16	8	2.99	1.84	—	0.55	0.88
190297-10S	7/8-14	10	3.24	1.95	—	0.64	1.00
190299-6S	5/8-18	6	2.23	1.33	—	0.39	0.75
190299-12S	1-1/16-14	12	3.78	2.21	—	0.78	1.25
190265-6S	9/16-18	6	2.23	1.33	—	0.39	0.69
190265-12S	1-1/16-12	12	3.78	2.21	—	0.78	1.25
190265-16S	1-5/16-12	16	3.74	2.47	—	1.07	1.50
190265-20S	1-5/8-12	20	4.21	2.85	—	1.22	2.00

190296
190302
190261

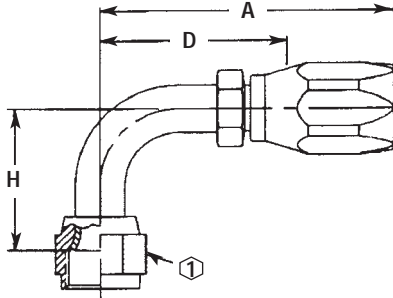


**90° elbow 190296 universal swivel (short drop), 190302 S.A.E. 45° swivel
190261 S.A.E. 37° swivel**

PART NUMBER	TH'D "T"	HOSE SIZE	A REF	D REF	F REF	H REF	① REF
190296-4S	7/16-20	4	1.74	0.99	—	0.68	0.56
190296-8S	3/4-16	8	2.76	1.61	—	1.09	0.88
190296-10S	7/8-14	10	2.94	1.65	—	1.23	1.00
190302-6S	5/8-18	6	2.13	1.23	—	0.85	0.75
190302-12S	1-1/16-14	12	3.74	2.17	—	1.82	1.25
190261-6S	9/16-18	6	2.13	1.23	—	0.85	0.69
190261-12S	1-1/16-12	12	3.74	2.17	—	1.82	1.25
190261-16S	1-5/16-12	16	3.55	2.28	—	2.39	1.50
190261-20S	1-5/8-12	20	4.02	2.65	—	2.75	2.00
190261-20-24S	1-5/8-12	24	4.11	2.66	—	2.75	2.00

Reusable
Fitting Program
FC802/FC558

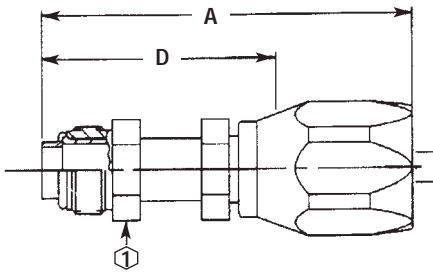
190295
190301
190260



90° elbow 190295 universal swivel (long drop), 190301 S.A.E. 45° swivel
190260 S.A.E. 37° swivel

PART NUMBER	TH'D "T"	HOSE SIZE	A REF	D REF	H REF	① REF
190295-4S	7/16-20	4	1.74	0.99	1.80	0.56
190295-8S	3/4-16	8	2.76	1.73	2.43	0.88
190295-10S	7/8-14	10	2.94	1.90	2.57	1.00
190295-10-12S	7/8-14	12	3.49	1.92	2.57	1.00
190301-6S	5/8-18	6	2.13	1.23	2.18	0.75
190301-12S	1-1/16-14	12	3.74	2.17	3.73	1.25
190260-6S	9/16-18	6	2.13	1.23	2.18	0.69
190260-12S	1-1/16-12	12	3.74	2.17	3.73	1.25
190260-16S	1-5/16-12	16	3.55	2.28	4.58	1.50
190260-20S	1-5/8-12	20	4.02	2.65	5.53	2.00

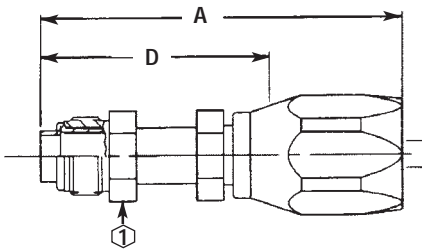
FJ7646



Male O-ring pilot (short)

PART NUMBER	TH'D "T"	HOSE SIZE	A REF	D REF	F REF	H REF	① REF
FC7646-0606S	5/8-18	6	3.03	2.13	—	—	0.62
FC7646-0808S	3/4-18	8	3.43	2.28	—	—	0.75
FC7646-1010S	7/8-18	10	3.85	2.56	—	—	0.88

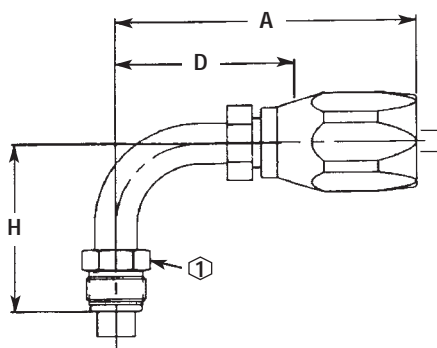
FC7049



Male O-ring pilot (long)

PART NUMBER	TH'D "T"	HOSE SIZE	A REF	D REF	F REF	H REF	① REF
FC7049-0606S	5/8-18	6	3.03	2.13	—	—	0.62
FC7049-0808S	3/4-18	8	3.63	2.48	—	—	0.75
FC7049-1010S	7/8-18	10	3.85	2.56	—	—	0.88

FC7662

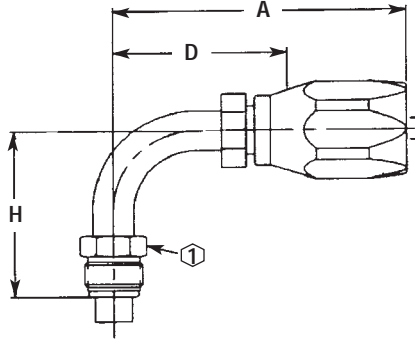


90° Male O-ring pilot (short)

PART NUMBER	TH'D "T"	HOSE SIZE	A REF	D REF	F REF	H REF	① REF
FC7662-0606S	5/8-18	6	2.47	1.57	—	1.77	0.62
FC7662-1010S	7/8-18	10	3.28	1.99	—	2.07	0.88
FC7662-1012S	7/8-18	12	3.57	2.00	—	2.07	1.06

Reusable
Fitting Program
FC802/FC558

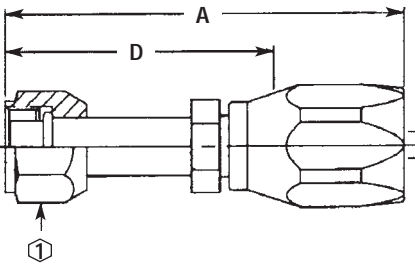
FC7474



90° Male O-ring pilot (long)

PART NUMBER	TH'D " T"	HOSE SIZE	A REF	D REF	F REF	H REF	① REF
FC7474-0606S	5/8-18	6	2.72	1.82	—	2.02	0.62
FC7474-0808S	3/4-18	8	3.13	1.98	—	2.62	0.75
FC7474-1010S	7/8-18	10	3.28	1.99	—	2.45	0.88
FC7474-1012S	7/8-18	12	3.58	2.01	—	2.45	0.88

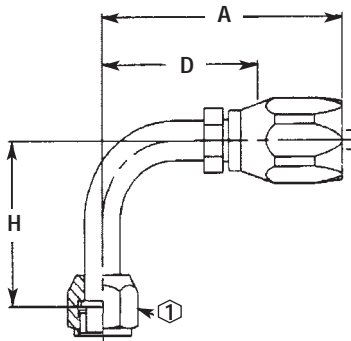
FC7049



Female O-ring pilot (long)

PART NUMBER	TH'D " T"	HOSE SIZE	A REF	D REF	F REF	H REF	① REF
FC7048-0606S	5/8-18	6	2.67	1.77	—	—	0.75
FC7048-0808S	3/4-16	8	3.27	2.12	—	—	0.88
FC7048-1010S	7/8-14	10	3.61	2.32	—	—	1.06
FC7048-1212S	1-1/16-14	12	4.00	2.44	—	—	1.25

FC7573

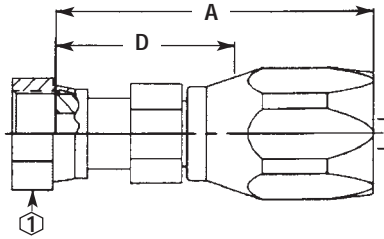


90° Female O-ring pilot (long)

PART NUMBER	TH'D " T"	HOSE SIZE	A REF	D REF	F REF	H REF	① REF
FC7573-0606S	5/8-18	6	2.72	1.82	—	1.17	0.75
FC7573-0808S	3/4-16	8	3.50	2.35	—	1.24	0.88
FC7573-1010S	7/8-14	10	4.22	2.93	—	1.50	1.06
FC7573-1210S	1-1/16-14	10	4.69	3.40	—	1.99	1.25
FC7573-1212S	1-1/16-14	12	4.99	3.42	—	1.99	1.25

Reusable
Fitting Program
FC802/FC558

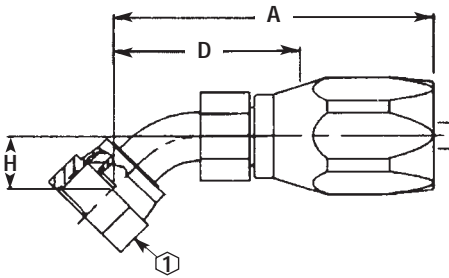
FJ9706



ORS female swivel

PART NUMBER	TH'D "T"	HOSE SIZE	A REF	D REF	F REF	H REF	① REF
FJ9706-0404S	9/16-18	4	2.09	1.34	—	—	0.69
FJ9706-0606S	11/16-16	6	2.43	1.53	—	—	0.81
FJ9706-0808S	13/16-16	8	3.13	1.98	—	—	0.94
FJ9706-1010S	1-14	10	3.37	2.08	—	—	1.12
FJ9706-1212S	1-3/16-12	12	3.68	2.11	—	—	1.38
FJ9706-1616S	1-7/16-12	16	3.50	2.23	—	—	1.62
FJ9706-2020S	1-11/16-12	20	3.64	2.28	—	—	1.88
FJ9706-2424S	2-12	24	3.86	2.40	—	—	2.25

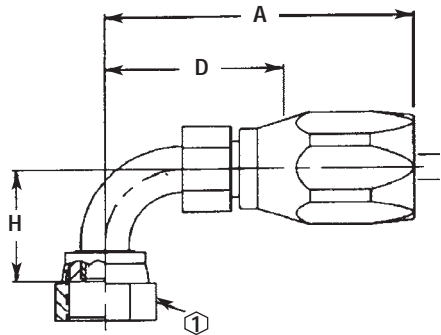
FJ9707



45° ORS female swivel

PART NUMBER	TH'D "T"	HOSE SIZE	A REF	D REF	F REF	H REF	① REF
FJ9707-0404S	9/16-18	4	1.96	1.21	—	0.41	0.69
FJ9707-0606S	11/16-16	6	2.27	1.37	—	0.43	0.81
FJ9707-0808S	13/16-16	8	3.03	1.88	—	0.59	0.94
FJ9707-1010S	1-14	10	3.38	2.08	—	0.65	1.12
FJ9707-1212S	1-3/16-12	12	3.84	2.27	—	0.83	1.38
FJ9707-1616S	1-7/16-12	16	3.62	2.35	—	0.94	1.62
FJ9707-2020S	1-11/16-12	20	4.09	2.72	—	1.00	1.88
FJ9707-2424S	2-12	24	4.32	2.87	—	1.07	2.25

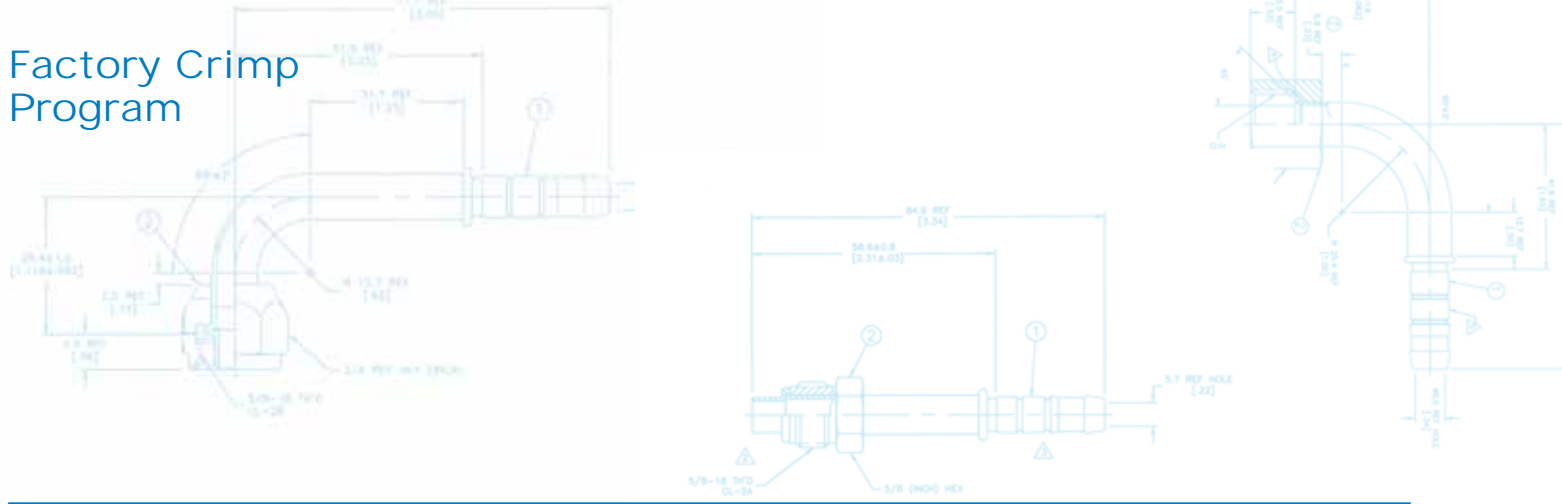
FJ9708



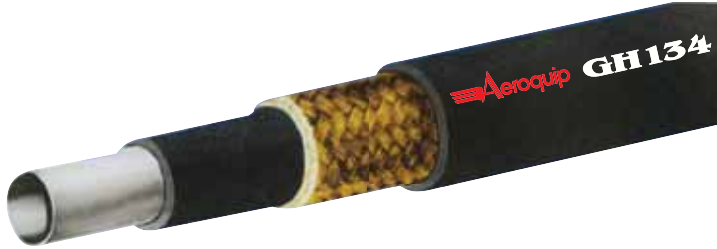
90° ORS female swivel

PART NUMBER	TH'D "T"	HOSE SIZE	A REF	D REF	F REF	H REF	① REF
FJ9708-0404S	9/16-18	4	1.80	1.05	—	0.82	0.69
FJ9708-0606S	11/16-16	6	2.13	1.23	—	0.90	0.81
FJ9708-0808S	13/16-16	8	2.76	1.61	—	1.15	0.94
FJ9708-1010S	1-14	10	3.03	1.74	—	1.27	1.12
FJ9708-1212S	1-3/16-12	12	3.74	2.17	—	1.88	1.38
FJ9708-1616S	1-7/16-12	16	3.55	2.28	—	2.21	1.62
FJ9708-2020S	1-11/16-12	20	4.02	2.65	—	2.51	1.88
FJ9708-2424S	2-12	24	4.42	2.97	—	2.70	2.25

Factory Crimp Program



Factory Crimp Program GH134



Features

- Internal polyamide veneer
- Synthetic rubber backing layer
- Stabilized synthetic braided reinforcement
- Specially formulated synthetic rubber cover
- Roll-formed fittings

Benefits

- Excellent effusion resistance
- Maximum resistance to moisture ingress and superior flexibility
- Extended service performance
- Excellent resistance to oil and abrasion
- Assured coupling integrity

Maximum Operating Pressure (bar/psi)

- 35/500

Minimum Burst Pressure (bar/psi)

- 175/2,500

Temperature Range

- -40°F to +275°F
(-40°C to +135°C)




R-134a Effusion

- .50 lbs./ft²/yr. at 176°F

Moisture Ingression

- .08 gm./in.²/yr.

Specifications and Performance (Meets or Exceeds SAE J2064 Type E; for R-134A Refrigerant Only)

#			
PART NUMBER	HOSE I.D.	HOSE O.D.	MINIMUM BEND RADIUS
	mm/inches	mm/inches	mm/inches
GH134-6	7.9/.31	14.7/.58	50.0/2.0
GH134-8	10.3/.41	17.8/.70	63.5/2.5
GH134-10	12.7/.50	19.8/.78	76.2/3.0
GH134-12	15.9/.62	24.9/.98	101.6/4.0
GH134-16	22.4/.88	31.2/1.23	127/7.0



All factory crimp fittings are double O-ring formed nipple design and offer assured sealing.

Features

• GH134 assemblies are factory crimped. * The Eaton double o-ring 2 piece fitting design is simply the best in the industry for containing refrigerant at the hose fitting connection.

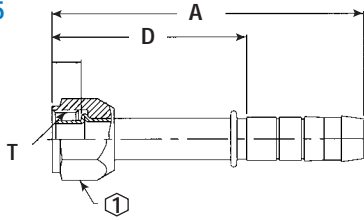
* Distributor certification program is available.

EATON DOUBLE O-RING A/C CRIMP FITTINGS ARE A 2-PIECE DESIGN

Socket Part Number	Hose Size	Socket Material
GH23246-4	4	Steel
GH23246-6	6	Steel
GH23246-8	8	Steel
GH23246-10	10	Steel
GH23246-12	12	Steel
GH23246-16	16	Steel
GH23246-16D	16	Aluminum

Factory Crimp Program Fittings

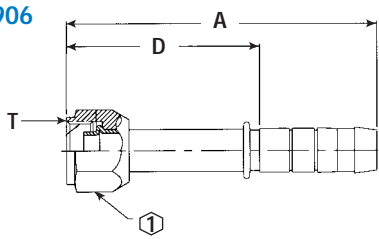
FJ4905



Female O-ring (long pilot)

NIPPLE PART #	TH'D "T"	HOSE SIZE	A REF	D REF	F REF	H REF	① REF
FJ4905-07-0606S	5/8-18	6	2.98	1.94	—	—	0.75
FJ4905-02-0606S	5/8-18	6	4.08	3.04	—	—	0.75
FJ4905-04-0606S	5/8-18	6	2.85	1.82	—	—	0.75
FJ4905-01-0808S	3/4-16	8	4.21	3.07	—	—	0.88
FJ4905-08-0808S	3/4-16	8	3.72	2.58	—	—	0.88
FJ4905-10-0808S	3/4-16	8	2.50	1.38	—	—	0.88
FJ4905-09-0810S	7/8-14	10	4.14	2.62	—	—	0.88
FJ4905-05-1010S	7/8-14	10	4.33	2.81	—	—	1.06
FJ4905-03-1012S	1-1/16-14	12	4.69	2.93	—	—	1.06
FJ4905-09-1212S	1-1/16-14	12	4.99	3.22	—	—	1.25

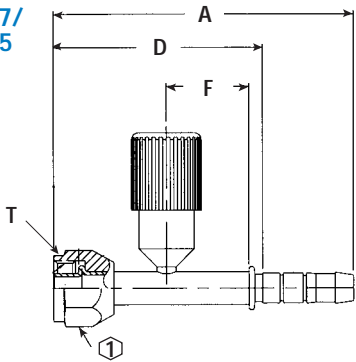
FJ4906



Female O-ring (short pilot)

NIPPLE PART #	TH'D "T"	HOSE SIZE	A REF	D REF	F REF	H REF	① REF
FJ4906-03-0606S	5/8-18	6	3.00	1.95	—	—	0.75
FJ4906-04-0808S	3/4-16	8	3.59	2.46	—	—	0.88
FJ4906-05-1010S	7/8-14	10	4.27	2.75	—	—	1.06
FJ4906-01-1012S	7/8-14	12	4.66	2.90	—	—	1.06
FJ4906-06-1212S	1-1/16-14	12	5.19	3.43	—	—	1.25
FJ4906-06-0606S	5/8-18	6	2.49	1.45	—	—	0.75
FJ4906-07-0806S	3/4-16	6	3.16	2.11	—	—	0.88

FJ4917/ FJ2815

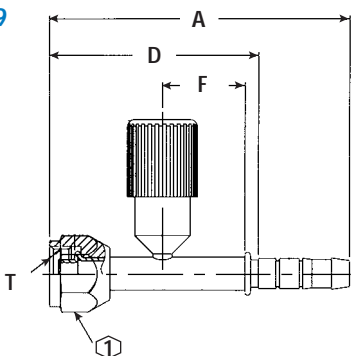


Female O-ring (long pilot) with High Side Charge Port

NIPPLE PART #	TH'D "T"	HOSE SIZE	A REF	D REF	F REF	H REF	① REF
FJ4917-01-0606S*	5/8-18	6	3.43	2.39	0.94	—	0.75
FJ4917-02-0808S*	3/4-16	8	3.74	2.60	0.94	—	0.88
FJ4917-03-1010S*	7/8-14	10	4.00	2.88	0.94	—	1.06
FJ2815-01-0606S*	M18 x 1.5	6	4.62	3.58	0.94	—	0.88

*MTO (made to order)

FJ4919



Female O-ring (short pilot) with High Side Charge Port

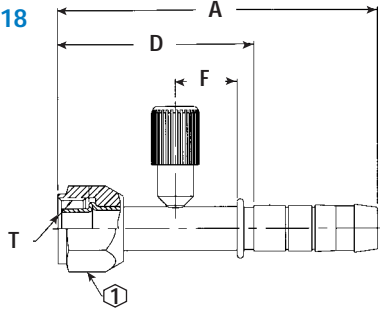
NIPPLE PART #	TH'D "T"	HOSE SIZE	A REF	D REF	F REF	H REF	① REF
FJ4919-01-0606S*	5/8-18	6	3.42	2.38	0.94	—	0.75
FJ4919-02-0808S	3/4-16	8	3.73	2.14	1.12	—	0.88
FJ4919-03-1212S*	1-1/16-14	12	4.00*	2.88	0.94	—	1.25

*MTO (made to order)

Factory Crimp Program

Fittings

FJ4918

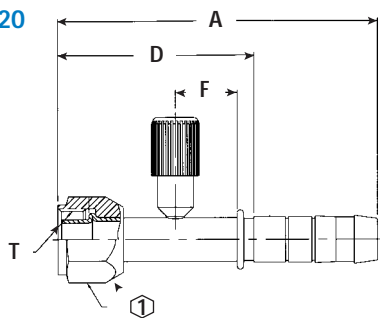


Female O-ring (long pilot) with Low Side Charge Port

NIPPLE PART #	TH'D "T"	HOSE SIZE	A REF	D REF	F REF	H REF	① REF
FJ4918-01-1010S*	7/8-14	10	4.33	2.81	0.88	—	0.88
FJ4918-02-1012S	7/8-14	12	4.57	2.80	0.88	—	0.88
FJ4918-03-1212S*	1-1/16-14	12	4.21	3.09	0.88	—	1.06

*MTO (made to order)

FJ4920

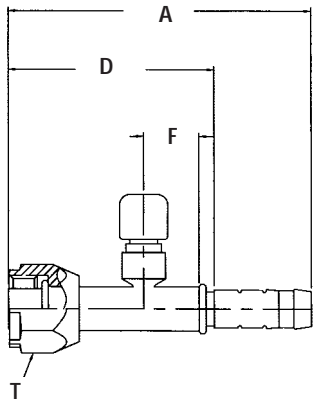


Female O-ring (short pilot) with Low Side Charge Port

NIPPLE PART #	TH'D "T"	HOSE SIZE	A REF	D REF	F REF	H REF	① REF
FJ4920-01-1010S	7/8-14	10	4.83	3.31	0.88	—	1.06
FJ4920-02-1012S*	7/8-14	12	3.93	2.81	0.88	—	1.06
FJ4920-03-1212S*	1-1/16-14	12	4.19	3.07	0.88	—	1.25

*MTO (made to order)

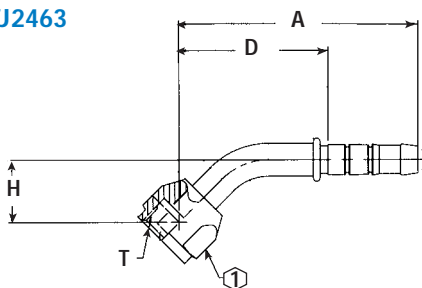
FJ2748/ FJ2822/ FJ2863



Straight Female O-ring, (long pilot) with Switch port

NIPPLE PART #	TH'D "T"	HOSE SIZE	A REF	D REF	F REF	H REF	SWITCH TH'D
FJ2748-0808S	3/4-16	8	5.17	—	0.87	—	7/16-20
FJ2822-01-0808S	3/4-16	8	3.49	2.37	0.63	—	M10 x 1.25
FJ2863-01-0810S	3/4-16	10	4.51	12.99	0.63	—	M10 x 1.25

FJ2463

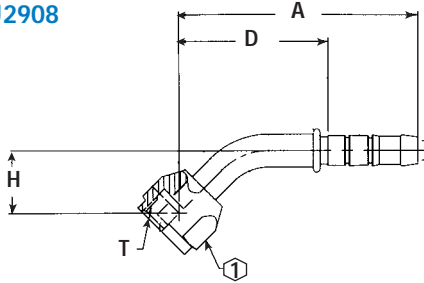


45° Female O-ring (short pilot)

NIPPLE PART #	TH'D "T"	HOSE SIZE	A REF	D REF	F REF	H REF	① REF
FJ2463-01-0606S	5/8-18	6	2.74	1.70	—	0.71	0.75
FJ2463-04-1010S	7/8-14	10	3.92	2.40	—	1.19	1.06
FJ2463-02-0808S	3/4-16	8	3.07	1.93	—	0.87	0.88
FJ2463-03-1010S	7/8-14	10	4.22	2.48	—	1.12	1.06

Factory Crimp Program Fittings

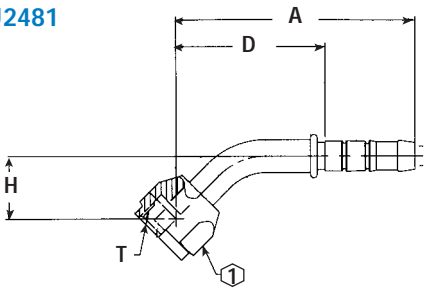
FJ2908



45° Female O-ring (long pilot)

NIPPLE PART #	TH'D "T"	HOSE SIZE	A REF	D REF	F REF	H REF	1 REF
FJ2908-02-0808S	3/4-16	8	3.07	1.93	0.87	—	0.88

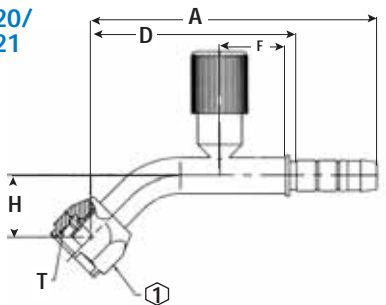
FJ2481



45° Female O-ring (long pilot)

NIPPLE PART #	TH'D "T"	HOSE SIZE	A REF	D REF	F REF	H REF	1 REF
FJ2481-1212S	1 1/16-14	12	2.75	—	—	1.02	1.25

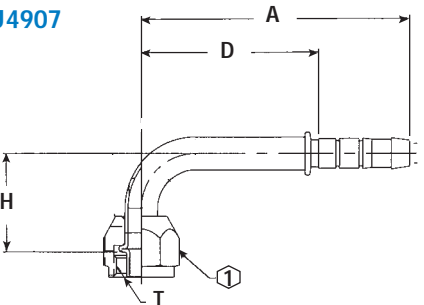
FJ2220/ FJ2221



45° Female O-ring (short pilot) with Charge Port

NIPPLE PART #	TH'D "T"	HOSE SIZE	A REF	D REF	F REF	H REF	PORT
FJ2220-01-0808S	3/4-16	8	4.08	2.94	0.94	0.87	High
FJ2221-01-1010S	7/8-14	10	4.79	3.27	0.88	1.19	Low

FJ4907



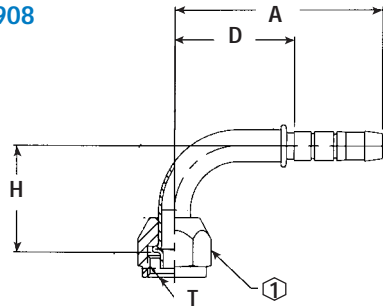
90° O-ring (long pilot)

NIPPLE PART #	TH'D "T"	HOSE SIZE	A REF	D REF	F REF	H REF	① REF
FJ4907-02-0606S	5/8-18	6	3.06	2.03	—	1.25	0.75
FJ4907-04-0606S	5/8-18	6	2.78	1.75	—	1.38	0.75
FJ4907-09-0606S	5/8-18	6	3.10	2.07	—	2.40	0.75
FJ4907-03-0808S	3/4-16	8	2.79	1.65	—	1.62	0.88
FJ4907-11-0808S	3/4-16	8	2.79	1.65	—	2.95	0.88
FJ4907-07-1010S	7/8-14	10	3.46	1.93	—	1.89	1.06
FJ4907-05-1012S	7/8-14	12	3.75	1.99	—	1.80	1.06
FJ4907-12-1012S*	7/8-14	12	3.75	1.99	—	2.95	1.06
FJ4907-08-1212S	1-1/16-14	12	4.05	2.29	—	2.56	1.25
FJ4907-01-0606S	5/8-18	6	2.69	1.66	—	1.25	0.75

*MTO (made to order)

Factory Crimp Program Fittings

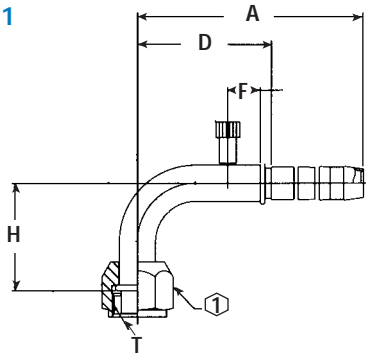
FJ4908



90° O-ring (short pilot)

NIPPLE PART #	TH'D "T"	HOSE SIZE	A REF	D REF	F REF	H REF	① REF
FJ4908-02-0606S	5/8-18	6	2.46	1.42	—	1.25	0.75
FJ4908-01-0808S	3/4-16	8	2.79	1.65	—	1.68	0.88
FJ4908-05-1010S	7/8-14	10	3.46	1.94	—	2.00	1.06
FJ4908-04-1012S	7/8-14	12	3.75	1.99	—	2.00	1.06
FJ4908-06-1212S	1-1/16-14	12	4.06	2.29	—	2.30	1.25
FJ4908-09-0606S	5/8-18	6	2.48	1.42	—	2.50	0.75
FJ4908-10-0806S	3/4-16	6	2.74	1.68	—	1.88	0.88

FJ4921

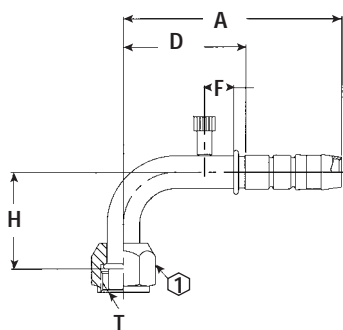


90° Female O-ring (long pilot) with High Side Charge Port

NIPPLE PART #	TH'D "T"	HOSE SIZE	A REF	D REF	F REF	H REF	① REF
FJ4921-01-0606S*	5/8-18	6	3.38	2.44	0.94	1.40	0.75
FJ4921-02-0808S	3/4-16	8	4.05	2.91	0.94	1.68	0.88
FJ4921-03-1010S*	7/8-14	10	4.10	3.00	0.94	2.00	1.06

*MTO (made to order)

FJ4922

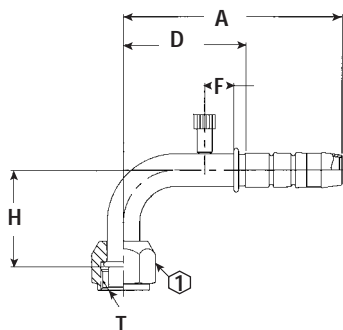


90° Female O-ring (long pilot) with Low Side Charge Port

NIPPLE PART #	TH'D "T"	HOSE SIZE	A REF	D REF	F REF	H REF	① REF
FJ4922-01-1010S*	7/8-14	10	3.98	2.88	0.88	2.00	1.06
FJ4922-02-1012S	7/8-14	12	4.73	2.83	0.88	2.00	1.06
FJ4922-03-1212S*	1-1/16-14	12	4.24	3.13	0.88	2.30	1.25

*MTO (made to order)

FJ4923



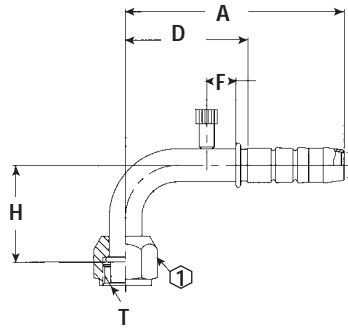
90° Female O-ring (short pilot) with High Side Charge Port

NIPPLE PART #	TH'D "T"	HOSE SIZE	A REF	D REF	F REF	H REF	① REF
FJ4923-01-0606S*	5/8-18	6	3.38	2.44	0.94	1.40	0.75
FJ4923-02-0808S	3/4-16	8	3.83	2.69	0.94	1.68	0.88
FJ4923-03-1010S*	7/8-14	10	4.10	3.00	0.94	2.00	1.06

*MTO (made to order)

Factory Crimp Program Fittings

FJ4924

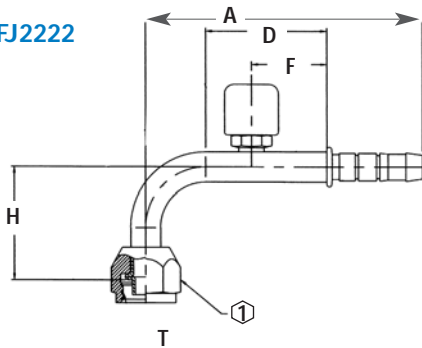


90° Female O-ring (short pilot) with Low Side Charge Port

NIPPLE PART #	TH'D "T"	HOSE SIZE	A REF	D REF	F REF	H REF	① REF
FJ4924-01-1010S	7/8-14	10	4.39	2.88	0.88	2.00	1.06
FJ4924-02-1012S*	7/8-14	12	3.98	2.88	0.88	2.00	1.06
FJ4924-03-1212S*	1-1/16-14	12	4.24	3.13	0.88	2.30	1.25

*MTO (made to order)

FJ2222

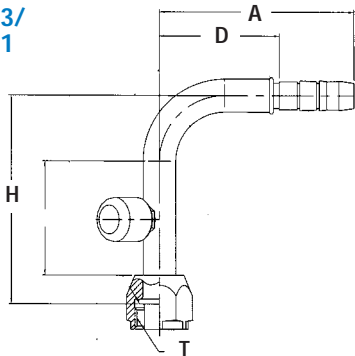


90° Female O-ring (short pilot) with Switch port

NIPPLE PART #	TH'D "T"	HOSE SIZE	A REF	D REF	F REF	H REF	SWITCH TH'D
FJ2222-01-0606S	5/8-18	6	3.45	1.51	0.94	1.40	7/16-20

*MTO (made to order)

EJ2083/ EJ2561

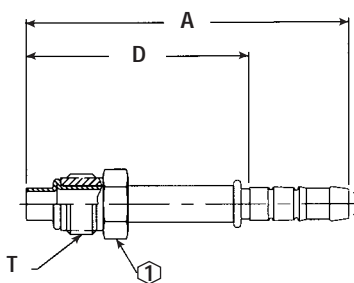


90° Female O-ring (long pilot) with Switch port

NIPPLE PART #	TH'D "T"	HOSE SIZE	A REF	D REF	F REF	H REF	SWITCH THREAD
EJ2083-01-0808S	3/4-16	8	2.97	1.83	*	3.15	7/16-20
EJ2561-01-0810S	3/4-16	10	4.46	2.94	*	1.68	M10 x 1.25

*port located on drop

FJ4901



Male O-ring (long pilot)

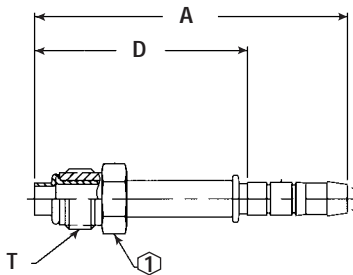
NIPPLE PART #	TH'D "T"	HOSE SIZE	A REF	D REF	F REF	H REF	① REF
FJ4901-05-0606S	5/8-18	6	3.34	2.31	—	—	0.62
FJ4901-01-0606S	5/8-18	6	4.09	3.05	—	—	0.62
FJ4901-06-0808S*	3/4-18	8	3.81	2.88	—	—	0.75
FJ4901-03-1010S*	7/8-18	10	4.30	3.20	—	—	0.88
FJ4901-07-1012S*	7/8-18	12	4.32	3.20	—	—	0.88
FJ4901-04-1212S*	1-1/16-16	12	4.41	3.29	—	—	1.06

*MTO (made to order)

Factory Crimp Program

Fittings

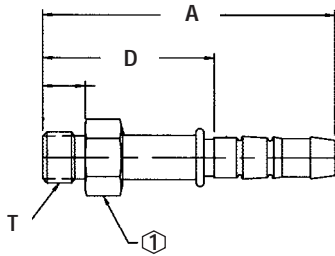
FJ4902



Male O-ring (short pilot)

NIPPLE PART #	TH'D "T"	HOSE SIZE	A REF	D REF	F REF	H REF	① REF
FJ4902-02-0606S	5/8-18	6	3.25	2.21	—	—	0.62
FJ4902-04-0808S	3/4-18	8	4.30	3.16	—	—	0.75
FJ4902-01-1010S	7/8-18	10	4.46	2.94	—	—	0.88
FJ4902-03-1012S	7/8-18	12	4.76	3.00	—	—	0.88
FJ4902-05-1212S	1-1/16-16	12	4.90	3.13	—	—	1.06

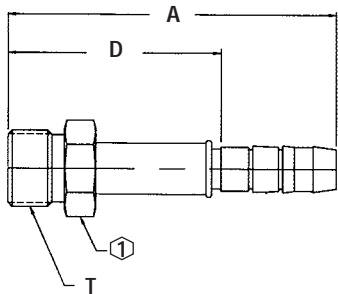
FJ2241



Straight Male O-ring Boss

NIPPLE PART #	TH'D "T"	HOSE SIZE	A REF	D REF	F REF	H REF	① REF
FJ2241-0406S	7/16-20	6	2.50	1.46	—	—	0.56

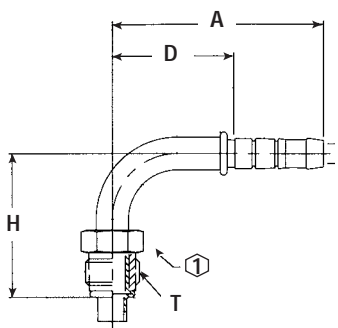
FJ2074/ FJ2710/ FJ2749



Straight MIO (male insert O-ring)

NIPPLE PART #	TH'D "T"	HOSE SIZE	A REF	D REF	F REF	H REF	① REF
FJ2074-05-0808S	3/4-16	8	3.25	2.11	—	—	0.81
FJ2074-02-1012S	7/8-14	12	4.35	2.59	—	—	0.94
FJ2710-0606S	5/8-18	6	4.16	3.12	—	—	0.69
FJ2749-1012S	7/8-14	12	5.08	3.32	—	—	0.94

FJ4903



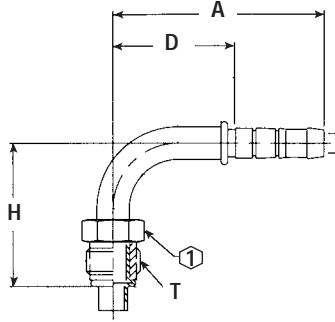
90° Male O-ring (long pilot)

NIPPLE PART #	TH'D "T"	HOSE SIZE	A REF	D REF	F REF	H REF	① REF
FJ4903-01-0606S	5/8-18	6	2.44	1.40	—	1.65	0.62
FJ4903-02-0808S*	3/4-18	8	2.61	1.68	—	2.38	0.75
FJ4903-04-1010S*	7/8-18	10	3.11	2.00	—	2.69	0.88
FJ4903-03-1012S*	7/8-18	12	3.11	2.00	—	2.69	0.88
FJ4903-05-1212S*	1-1/16-16	12	3.36	2.24	—	2.79	1.06
FJ4903-09-0606S	5/8-18	6	2.43	1.40	—	1.97	0.62

*MTO (made to order)

Factory Crimp Program Fittings

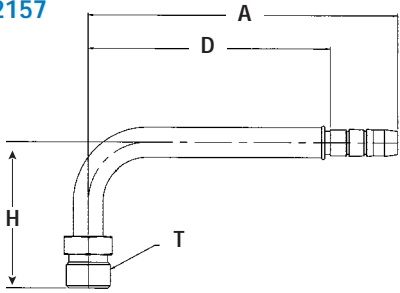
FJ4904



90° Male O-ring (short pilot)

NIPPLE PART #	TH'D "T"	HOSE SIZE	A REF	D REF	F REF	H REF	① REF
FJ4904-01-0606S	5/8-18	6	2.44	1.4	—	1.65	0.62
FJ4904-05-0808S	3/4-18	8	2.79	1.65	—	2.10	0.75
FJ4904-02-1010S	7/8-18	10	3.45	1.93	—	3.00	0.88
FJ4904-03-1012S	7/8-18	12	3.75	1.98	—	2.45	0.88
FJ4904-04-1212S	1-1/16-16	12	4.05	2.29	—	2.79	1.06

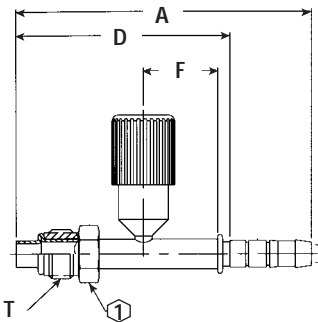
EJ2157



90° Male MIO (male insert o-ring)

NIPPLE PART #	TH'D "T"	HOSE SIZE	A REF	D REF	F REF	H REF	① REF
EJ2157-01-0808S	3/4-16	8	5.23	4.09	—	2.44	0.25

FJ4909

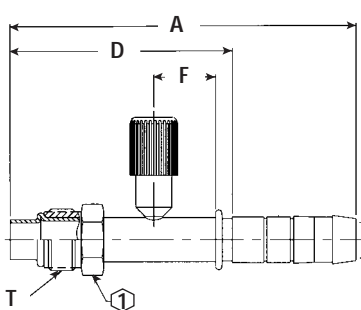


Male O-ring (long pilot) with High Side Charge Port

NIPPLE PART #	TH'D "T"	HOSE SIZE	A REF	D REF	F REF	H REF	① REF
FJ4909-01-0606S	5/8-18	6	3.73	2.71	0.94	—	0.63
FJ4909-02-0808S	3/4-18	8	4.29	3.15	0.94	—	0.75
FJ4909-03-1010S*	7/8-18	10	4.29	3.15	0.94	—	0.88

*MTO (made to order)

FJ4910



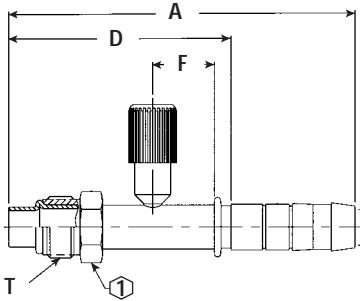
Male O-ring (long pilot) with Low Side Charge Port

NIPPLE PART #	TH'D "T"	HOSE SIZE	A REF	D REF	F REF	H REF	① REF
FJ4910-01-1010S*	7/8-18	10	4.95	3.20	0.88	—	0.88
FJ4910-02-1012S	7/8-18	12	4.95	3.20	0.88	—	0.88
FJ4910-03-1212S*	1-1/16-16	12	4.95	3.29	0.88	—	1.06

*MTO (made to order)

Factory Crimp Program Fittings

FJ4911

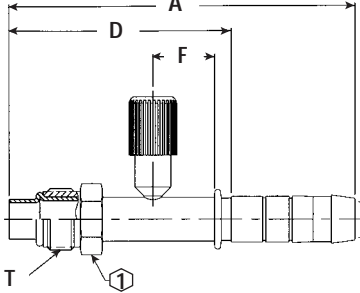


Male O-ring (short pilot) with High Side Charge Port

NIPPLE PART #	TH'D "T"	HOSE SIZE	A REF	D REF	F REF	H REF	① REF
FJ4911-01-0606S*	5/8-18	6	3.57*	2.63	0.94	—	0.63
FJ4911-02-0808S*	3/4-18	8	3.92*	2.98	0.94	—	0.75
FJ4911-03-1010S*	7/8-18	10	4.95	3.00	0.94	—	0.88
FJ4911-05-0808S	3/4-18	8	5.36	4.22	0.99	—	0.75

*MTO (made to order)

FJ4912

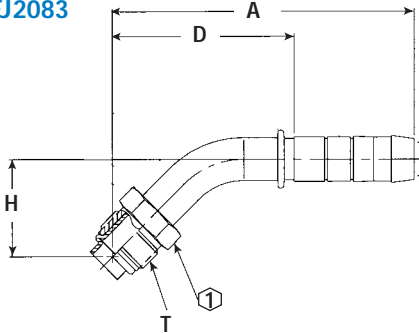


Male O-ring (short pilot) with Low Side Charge Port

NIPPLE PART #	TH'D "T"	HOSE SIZE	A REF	D REF	F REF	H REF	① REF
FJ4912-01-1010S*	7/8-18	10	4.95	3.00	0.88	—	0.88
FJ4912-05-1012S	7/8-18	12	6.10	4.34	0.99	—	0.88
FJ4912-03-1212S*	1-1/16-16	12	4.95	3.09	0.88	—	1.06

*MTO (made to order)

FJ2083

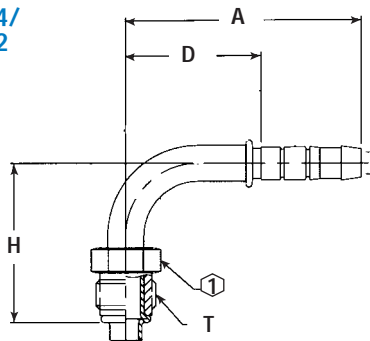


45° Male O-ring (short pilot)

NIPPLE PART #	TH'D "T"	HOSE SIZE	A REF	D REF	F REF	H REF	① REF
FJ2083-01-1012S	7/8-18	12	4.44	2.68	—	1.42	1.06
FJ2083-02-0606S*	5/8-18	6	3.08	2.05	—	1.08	0.63

*MTO (made to order)

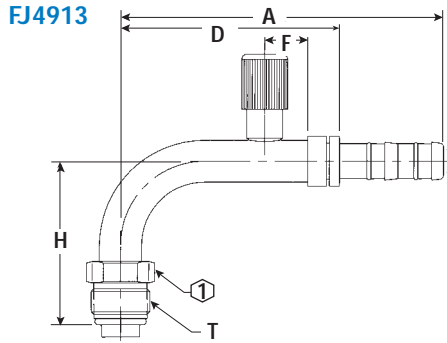
FJ4904/ FJ2072



90° Male O-ring (short pilot)

NIPPLE PART #	TH'D "T"	HOSE SIZE	A REF	D REF	F REF	H REF	① REF
FJ4904-01-0606S	5/8-18	6	2.44	1.40	—	1.65	0.62
FJ4904-05-0808S	3/4-18	8	2.79	1.65	—	2.38	0.75
FJ4904-02-1010S	7/8-18	10	3.45	1.93	—	3.00	0.88
FJ4904-03-1012S	7/8-18	12	3.75	1.98	—	2.69	0.88
FJ4904-04-1212S	1-1/16-16	12	4.05	2.29	—	2.79	1.06
FJ2072-1012S	7/8-18	12	3.50	1.74	—	3.32	0.88

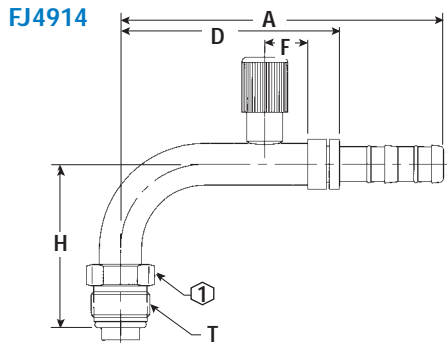
Factory Crimp Program Fittings



90° Male O-ring (long pilot) with High Side Charge Port

NIPPLE PART #	TH'D "T"	HOSE SIZE	A REF	D REF	F REF	H REF	I ^① REF
FJ4913-01-0606S*	5/8-18	6	3.86	2.43	0.94	1.77	0.63
FJ4913-02-0808S*	3/4-18	8	3.86	2.68	0.94	2.37	0.75
FJ4913-03-1010S*	7/8-18	10	4.92	3.00	0.94	2.45	0.88

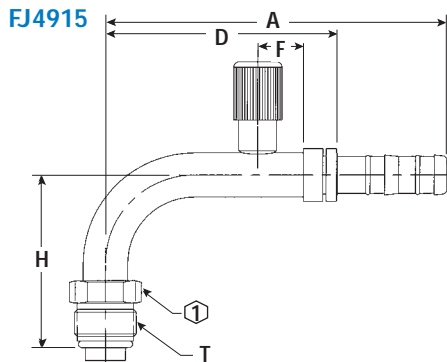
*MTO (made to order)



90° Male O-ring (long pilot) with Low Side Charge Port

NIPPLE PART #	TH'D "T"	HOSE SIZE	A REF	D REF	F REF	H REF	I ^① REF
FJ4914-01-1010S*	7/8-18	10	4.00	2.88	0.88	2.45	0.88
FJ4914-02-1012S*	7/8-18	12	4.00	2.88	0.88	2.45	0.88
FJ4914-03-1212S*	1-1/16-16	12	4.25	3.13	0.88	3.67	1.06

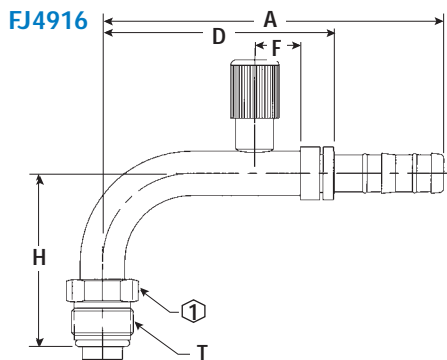
*MTO (made to order)



90° Male O-ring (short pilot) with High Side Charge Port

NIPPLE PART #	TH'D "T"	HOSE SIZE	A REF	D REF	F REF	H REF	I ^① REF
FJ4915-01-0606S*	5/8-18	6	3.36	2.43	0.94	1.77	0.63
FJ4915-02-0808S	3/4-18	8	4.09	2.95	0.85	2.37	0.75
FJ4915-03-1010S*	7/8-18	10	4.12	3.00	0.94	2.45	0.88

*MTO (made to order)



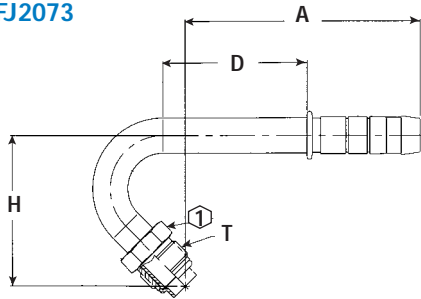
90° Male O-ring (short pilot) with Low Side Charge Port

NIPPLE PART #	TH'D "T"	HOSE SIZE	A REF	D REF	F REF	H REF	I ^① REF
FJ4916-01-1010S*	7/8-18	10	4.00	2.88	0.88	2.45	0.88
FJ4916-02-1012S*	7/8-18	12	4.00	2.88	0.88	2.45	0.88
FJ4916-03-1212S*	1-1/16-16	12	4.25	3.13	0.88	2.79	1.06

*MTO (made to order)

Factory Crimp Program Fittings

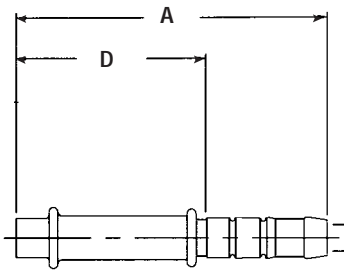
FJ2073



135° Male O-ring (short pilot)

NIPPLE PART #	TH'D "T"	HOSE SIZE	A REF	D REF	F REF	H REF	① REF
FJ2073-1012S	7/8-18	12	4.15	2.39	—	2.66	1.06

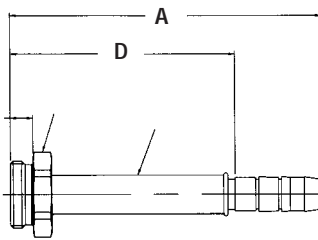
FJ2086/ FJ2087



O-ring Connection

NIPPLE PART #	HOSE SIZE	A REF	D REF	F REF	H REF	PILOT
FJ2086-0606S	6	2.65	1.61	—	—	Long
FJ2087-1212S	12	3.94	2.18	—	—	Short

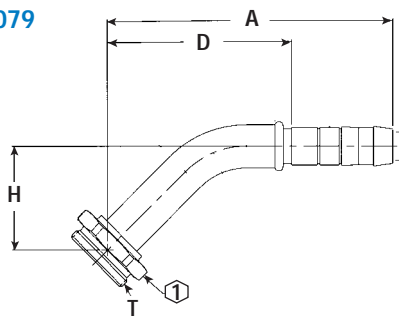
FJ2909



Straight 5400 Coupling Thread

NIPPLE PART #	TH'D "T"	HOSE SIZE	A REF	D REF	F REF	H REF	① REF
FJ2909-01-1212S	1 1/4-18	12	4.03	2.27	—	—	1.38
FJ2909-02-0808S	7/8-20	8	4.09	2.95	—	—	1.00
FJ2909-04-0806S	7/8-20	6	4.09	3.05	—	—	1.00

FJ2079

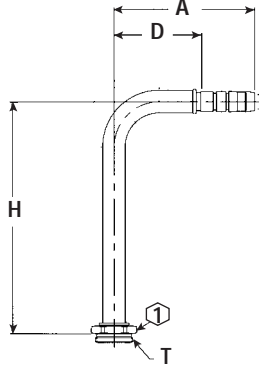


45° 5400 Coupling Thread

NIPPLE PART #	TH'D "T"	HOSE SIZE	A REF	D REF	F REF	H REF	① REF
FJ2079-1212S	1-1/4-18	12	4.97	3.21	—	1.80	1.38
FJ2079-01-0808S	7/8-20	8	3.70	2.58	—	1.00	1.00

Factory Crimp Program Fittings

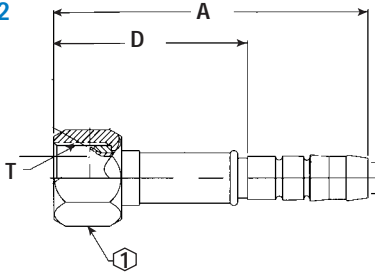
FJ2077/ EJ2012



90° 5400 Coupling Thread

NIPPLE PART #	TH'D "T"	HOSE SIZE	A REF	D REF	F REF	H REF	① REF
FJ2077-05-1212S	1-1/4-18	12	4.68	2.98	—	7.7	1.38
FJ2077-10-0806S	7/8-20	6	2.57	1.53	—	1.20	1.00
FJ2077-14-0806S	7/8-20	6	3.20	2.17	—	2.07	1.00
FJ2077-12-0808S	7/8-20	8	2.79	1.85	—	1.77	1.00
EJ2012-01-1212S	1-1/4-18	12	4.75	2.99	—	2.72	1.38
EJ2012-02-1212S	1-1/4-18	12	4.75	2.99	—	2.72	1.38

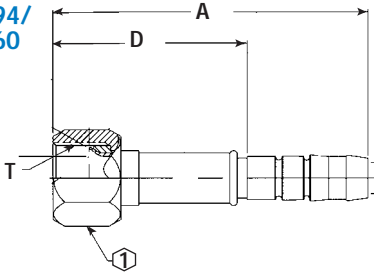
FJ3462



S.A.E. 37° Swivel

NIPPLE PART #	TH'D "T"	HOSE SIZE	A REF	D REF	F REF	H REF	① REF
FJ3462-03-1212	1-1/16-12	12	4.65	2.89	—	—	1.06

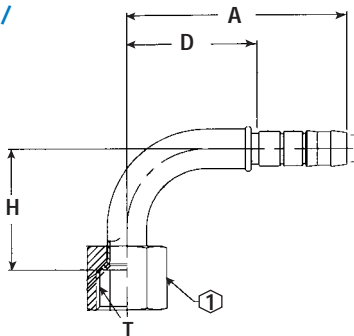
FJ4894/ FJ4960



S.A.E. 45° Female Swivel

NIPPLE PART #	TH'D "T"	HOSE SIZE	A REF	D REF	F REF	H REF	① REF
FJ4960-0404S	7/16-20	4	2.08	1.41	—	—	0.56
FJ4894-07-0606S	5/8-18	6	3.01	1.97	—	—	0.75
FJ4894-08-0808S	3/4-16	8	3.61	2.48	—	—	0.88
FJ4894-03-1010S	7/8-14	10	4.86	3.34	—	—	1.06
FJ4894-06-1012S	7/8-14	12	4.56	2.80	—	—	1.06
FJ4894-04-1212S	1-1/16-14	12	5.56	3.80	—	—	1.31

FJ4964/ FJ4896



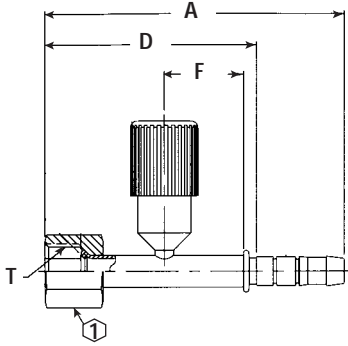
90° S.A.E. 45° Female Swivel

NIPPLE PART #	TH'D "T"	HOSE SIZE	A REF	D REF	F REF	H REF	① REF
FJ4964-0404S	7/16-20	4	2.08	1.41	—	1.00	0.56
FJ4896-03-0606S	5/8-18	6	2.44	1.42	—	1.25	0.75
FJ4896-04-0808S	3/4-16	8	2.79	1.65	—	1.53	0.88
FJ4896-05-1010S	7/8-14	10	3.48	1.94	—	1.78	1.06
FJ4896-06-1012S	7/8-14	12	3.82	2.07	—	1.78	1.06
FJ4896-01-1212S*	1-1/16-14	12	3.37	2.25	—	2.10	1.31

*MTO (made to order)

Factory Crimp Program Fittings

FJ4897

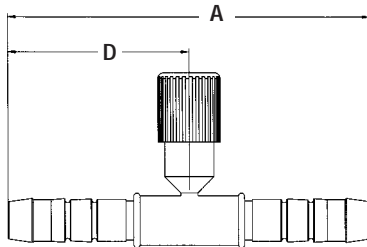


S.A.E. 45° Swivel with High Side Charge Port

NIPPLE PART #	TH'D "T"	HOSE SIZE	A REF	D REF	F REF	H REF	① REF
FJ4897-01-0606S	5/8-18	6	3.46	2.51	0.94	—	0.75
FJ4897-02-0808S*	3/4-16	8	3.70	2.77	0.94	—	0.88
FJ4897-03-1010S*	7/8-14	10	4.22	3.10	0.94	—	1.06

*MTO (made to order)

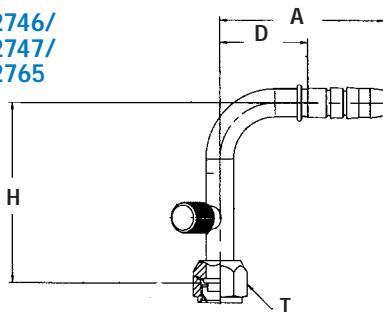
FJ2674/ FJ2675



Splicer with Charge Port

NIPPLE PART #	TH'D "T"	HOSE SIZE	A REF	D REF	F REF	H REF	PORT
FJ2674-1010S	—	10	7.87	3.93	—	—	Low
FJ2674-1212S	—	12	8.39	4.87	—	—	Low
FJ2675-0808S	—	8	5.61	3.33	—	—	High

FJ2746/ FJ2747/ FJ2765



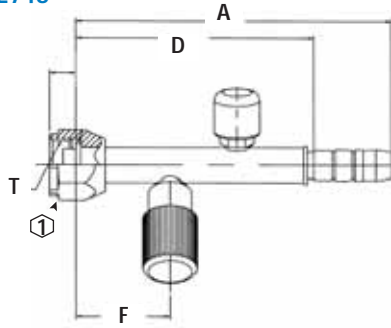
90° Female O-ring (short pilot), R134a Low-Side port and Switch port (port to port rotations will vary - contact Eaton Application Engineering)

NIPPLE PART #	TH'D "T"	HOSE SIZE	A REF	D REF	F REF	H REF	SWITCH TH'D
FJ2746-1012S	7/8-14	12	3.75	1.99	*	4.02	7/16-20
FJ2747-1012S	7/8-14	12	3.75	1.99	*	4.02	7/16-20
FJ2765-1012S	7/8-14	12	6.71	4.95	0.88	2.06	7/16-20

*ports located on drop

Factory Crimp Program Fittings

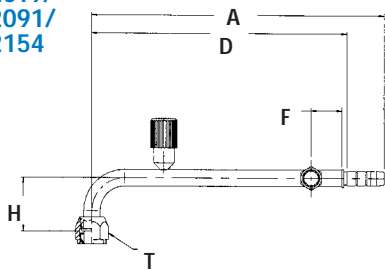
FJ2745



Straight Female O-ring (long pilot), R134a Hi-Side port and Switch port (port to port rotations will vary - contact Eaton Application Engineering)

NIPPLE PART #	TH'D "T"	HOSE SIZE	A REF	D REF	F REF	H REF	SWITCH TH'D
J2745-0808S	3/4-16	8	3.75	1.99	1.14	—	7/16-20

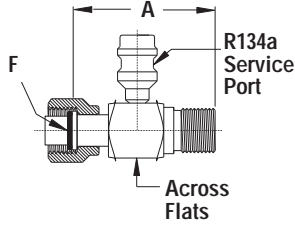
EJ2019/ EJ2091/ EJ2154



90° Female O-ring (long pilot), R134a Hi-Side port and Switch port (port to port rotations will vary - contact Eaton Application Engineering)

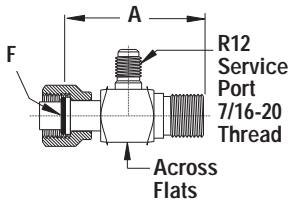
NIPPLE PART #	TH'D "T"	HOSE SIZE	A REF	D REF	F REF	H REF	SWITCH TH'D
EJ2019-01-0808S	3/4-16	8	8.93	6.64	0.94	1.62	M12 x 1.25
EJ2091-01-0606S	5/8-18	6	5.37	4.33	1.30	2.52	7/16-20
EJ2154-0808S	3/4-16	8	4.43	3.29	1.09	1.71	M12 x 1.25

Factory Crimp Program Adapters



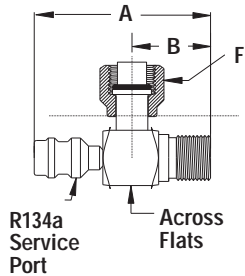
Bumped Tube O-Ring Adapter with R134a Service Port

TUBE SIZE	CATALOG NUMBER	THREAD SIZE	LENGTH A	ACROSS FLATS	HEX F	O-RING
3/8	75701*	5/8-18	2.02	5/8 ⁱ	3/4	ZW74706
1/2	75702*	3/4-16	2.22	7/8	7/8	ZW74708
5/8	75704**	7/8-14	2.63	7/8	1-1/16	ZW74710
3/4	75706**	1-1/16-14	2.89	1-1/16	1-1/4	ZW74712



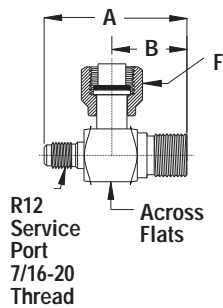
Bumped Tube O-Ring Adapter with R12 Service Port

TUBE SIZE	CATALOG NUMBER	THREAD SIZE	LENGTH A	ACROSS FLATS	HEX F	O-RING
3/8	R12-Z56	5/8-18	2.02	5/8 ⁱ	3/4	ZW74706
1/2	R12-Z58	3/4-16	2.22	7/8	7/8	ZW74708
5/8	R12-Z60	7/8-14	2.63	7/8	1-1/16	ZW74710
3/4	R12-Z62	1-1/16-14	2.89	1-1/16	1-1/4	ZW74712



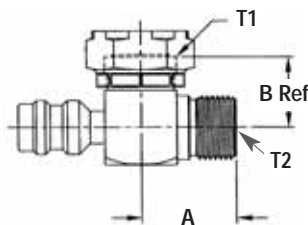
90° Bumped Tube O-Ring Adapter with R134a Service Port

TUBE SIZE	CATALOG NUMBER	THREAD SIZE	LENGTH A	DROP B	ACROSS FLATS	HEX F	O-RING
3/8	75729*	5/8-18	2.46	1.05	5/8 ⁱ	3/4	ZW74706
1/2	75730*	3/4-16	2.66	1.15	7/8	7/8	ZW74708
5/8	75731**	7/8-14	2.80	1.30	7/8	1-1/16	ZW74710
3/4	75732**	1-1/16-14	3.16	1.39	1-1/16 ⁱ	1-1/4	ZW74712



90° Bumped Tube O-Ring Adapter with R12 Service Port

TUBE SIZE	CATALOG NUMBER	THREAD SIZE	LENGTH A	DROP B	ACROSS FLATS	HEX F	O-RING
3/8	R12-Z96	5/8-18	2.07	1.05	5/8 ⁱ	3/4	ZW74706
1/2	R12-Z97	3/4-16	2.27	1.15	7/8	7/8	ZW74708
5/8	R12-Z98	7/8-14	2.41	1.30	7/8	1-1/16	ZW74710
3/4	R12-Z99	1-1/16-16	2.77	1.39	1-1/16 ⁱ	1-1/4	ZW74712

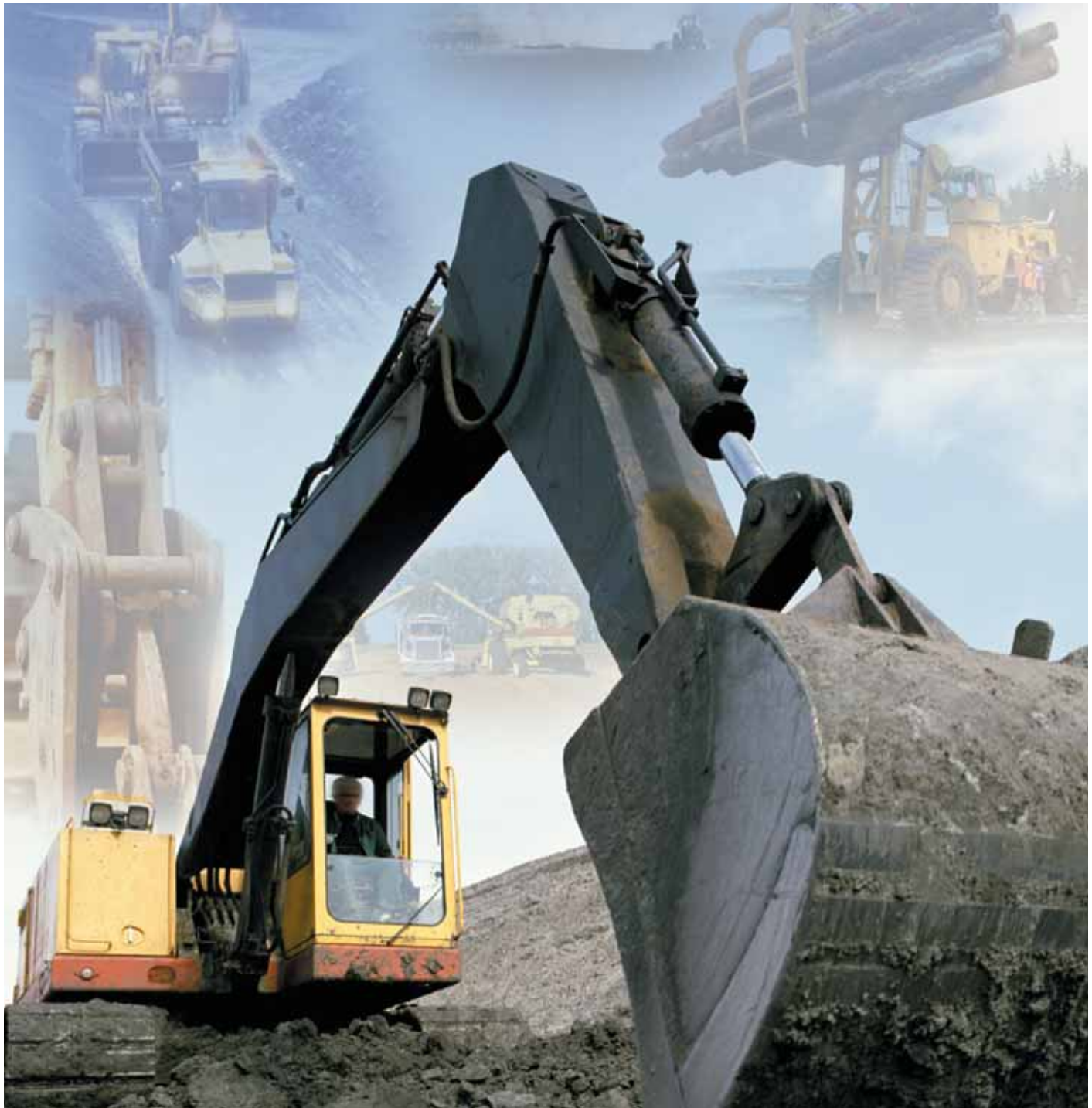


Rotalok to MIO

CATALOG NUMBER	TUBE SIZE	THREAD SIZE (T1)	THREAD SIZE (T2)	DROP A	REF DROP	B PORT	REF
75750	1/2	1-14	3/4-16	1.15	0.84	Hi-Side	—
75751	5/8	1-14	7/8-16	1.29	0.84	Low-Side	—
75760*	Same as 75750, except includes threaded cap for Rotalock end.						—
75761*	Same as 75751, except includes threaded cap for Rotalock end.						—

* High Side Port

** Low Side Port



Accessories

Nylon Sleaving



Designed for abrasion protection of air conditioning hoses

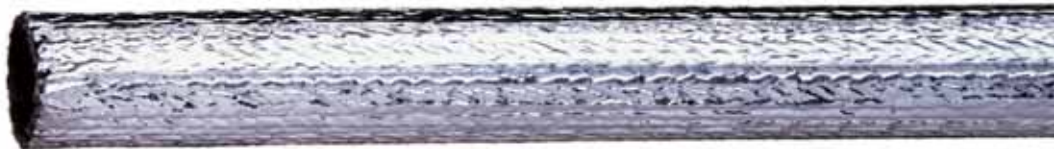
Features and Benefits

- Easy to cut and assemble
- Tight fit for tight spaces
- Nylon tie straps will hold in place (FF9349-22-150 for all sizes of sleeve)

HOSE SIZES	SLEEVE SIZE USED FOR GH134 (PART NUMBER)
GH134-6	FF90224-16
GH134-8	FF90224-16
GH134-10	FF90224-24
GH134-12	FF90224-24

PART NUMBER	SLEEVE WILL ACCEPT A HOSE WITH A	
	MAXIMUM O.D. OF	MINIMUM O.D. OF
FF90224-16	1.12	0.68
FF90224-24	1.93	1.18

Heat Sleaving



Designed for heat deflection of air conditioning hoses

Features and Benefits

- Fiberglass reinforced
- Wall thickness .025
- Protects from radiant heat to plus 400°C (review application with Eaton Sales Representative)
- Nylon tie straps will hold in place (FF9349-22-150 for all sizes)

FF90356 REFLECTIVE HEAT SLEEVE	CROSS DIAMETER SIZE (INCHES)	FOR GH134 AND FC505 HOSE SIZE
FF90356-01	1.00	-6 & -8
FF90356-02	1.25	-10 & -12
FF90356-04	0.75	-6
FF90356-05	0.62	-4
FF90356-06	1.50	-16

Retaining Bracket

"Eaton introduces mechanical tube brackets!"

Eaton's new tube brackets have been designed specifically for a customer's unique bracketing requirements. The three-piece design begins with an EPDM grommet (figure 4), which minimizes tube friction, and "locks" the bracket onto the tube. This design withstands vibration in the toughest of environments, without slippage, and offers ease of fit up, that is often difficult with

welded brackets. To complete the assembly, the bracket connection is the customer's design, and the bracket retainer, or bracket top, is sized for a specific tube O.D.

To install the assembly, the bracket top and bracket bottom, lock into place, with the ease of a flange screw.

Part numbers for the grommet, bracket top and flange

screw are shown in the chart below. A sample of the connecting bracket, is shown in figure A.

Please contact your Eaton Sales Representative, or Eaton Applications Team to discuss additional designs that are currently available, or the opportunity to support a new design for your specific application.

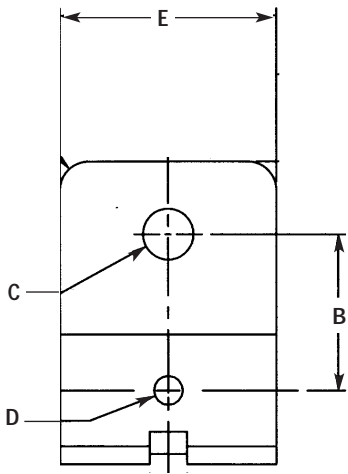


Figure 1 Bracket Top

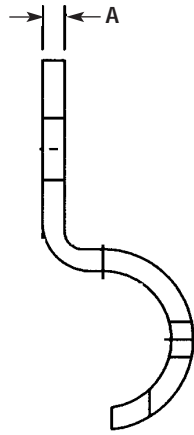


Figure 2 Bracket Top

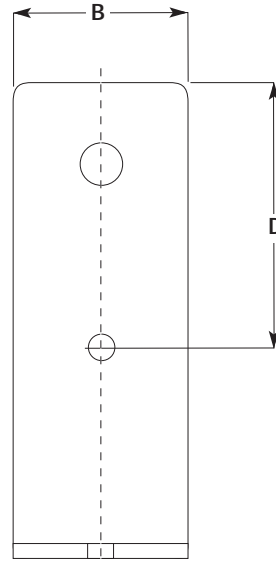


Figure 3 Base Bracket



Figure 4 Grommet

DESCRIPTION	PART NUMBER	TUBE SIZE USED ON	"A" BRACKET THICKNESS	"B" BRACKET RETAINER WIDTH	"C" BRACKET RETAINER HEIGHT	"D" BASE BRACKET LENGTH
Tube Grommet	FF90420-06	6	—	—	—	—
Tube Grommet	FF90420-08	8	—	—	—	—
Tube Grommet	FF90420-14	14	—	—	—	—
Flange Screw	FF90453	All	—	—	—	—
Bracket Top*	FF90421-06	6	2.5/.098	30/1.181	7/.276	—
Bracket Top*	FF90421-08	8	2.5/.098	30/1.181	7/.276	—
Bracket Top*	FF90421-14	14	2.5/.098	30/1.181	7/.276	—
Base Bracket**	FF90422-14	14	2.5/.098	30/1.181	—	54/2.13

* Figure 1 and 2

** Figure 3

Eaton
Hydraulics Operations USA
14615 Lone Oak Road
Eden Prairie, MN 55344
USA
Tel: 952-937-9800
Fax: 952-294-7722
www.hydraulics.eaton.com

Eaton
Hydraulics Operations Europe
Route de la Longeraie 7
1110 Morges
Switzerland
Tel: +41 (0) 21 811 4600
Fax: +41 (0) 21 811 4601

Eaton
Hydraulics Operations Asia Pacific
11th Floor Hong Kong New World Tower
300 Huaihai Zhong Road
Shanghai 200021
China
Tel: 86-21-6387-9988
Fax: 86-21-6335-3912



Aeroquip

© 2007 Eaton Corporation
All Rights Reserved
Printed in USA
Document No. A-HOAC-MC001-E3
Supercedes A-HOAC-MC001-E2
September 2007